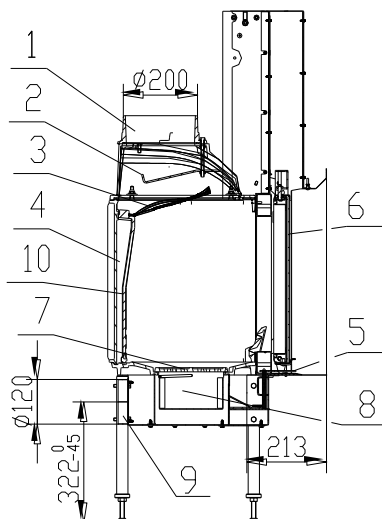
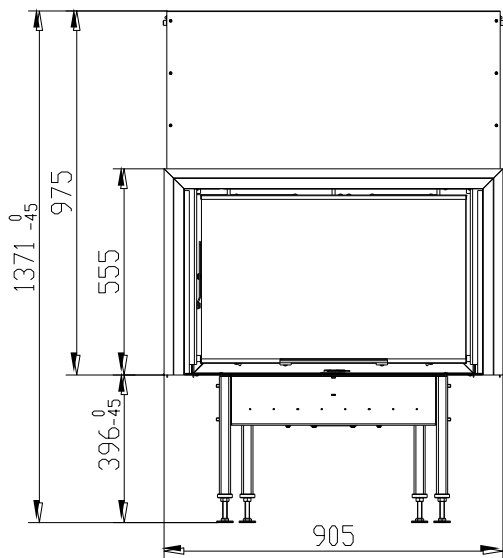


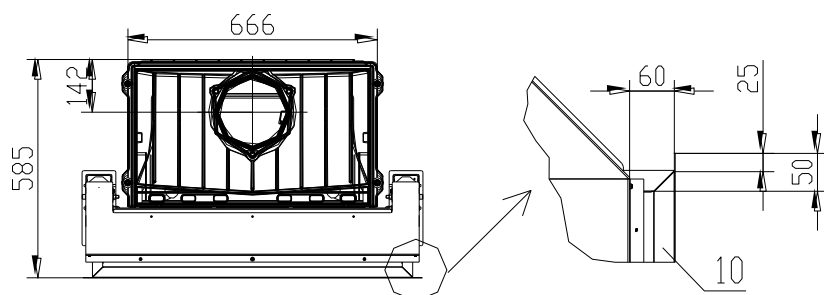
# FIREPLACE INSERT START V8 in accordance with EN 13 229 - W

Schema:

Description:



- 1 Flue bellmouth**
- 2 Deflector**
- 3 Deflector**
- 4 Secondary chamber**
- 5 External air control**
- 6 Glass**
- 7 Grate**
- 8 Ash Tray**
- 9 External air input Ø120mm**
- 10 Frame**



**Technical data:**

Nominal heat output	kW	16
Efficiency	%	76
Volume flow of combustion products	g/s	14,7
Flue-gas temperature	°C	369,5
Min. feed pressure at nom. heat output	Pa	10
Fuel		Wood (beech logs)
Fuel consumption per hour	kg/h	5
CO emission in burnt gas (in relation to 13% O2 ) %		0,13
Smoke flue diameter	mm	200
Weight	kg	171

BeF Home, s.r.o.  
Kotvrdovice 277  
679 07 Kotvrdovice  
IČO: 25524682



Type: **START 8**  
Version: **8, V8,8CL,8CP,V8CL,V8CP,8C,V8C**  
Test number: **30-10696/30-10283**  
Notified person: **1015 EN 13229**  
Heat output: **16kW capacity for heating**  
Efficiency: **76%**  
CO emission in burnt gas (in relation to 13% O2 ): **0,13%**  
**Burnt gas temperature:369,5°C**  
**Distance from adjacent combustible materials: 8cm + 10cm thermal insulation**  
Fuel: wood (beech logs)  
Wood-burning fireplace insert for room heating.

**Peruse and keep service instructions!**  
**Appliance with short-term combustion process!**