

## Description:

**RC draught regulator** (acc to DIN 4795 norm) - device that is to be mounted next to the chimney connection, equipped with a damper with an adjustable weight. The weight is to be regulated to achieve and maintain a certain underpressure ratio. After the certain weight is determined and chimney duct is too big, damper opens and lets some air into the duct - lowering underpressure to the level desired.

The maximal smoke temperature is 400°C.

Chimney draught regulator decreases too high pressure in chimney duct, which:

- appears despite correct cross-section of a chimney duct,
- appears if the cross-sectional area of chimney duct is too big;
- is caused by temporary impact of weather conditions for example strong wind

Device is destined to be mounted:

- on the connector which connects stove with the chimney
- over the connector
- under the connector

## Designation:

<b>Destination</b>	S	S - gas and oil exhaust ducts
	D	D - smoke ducts
<b>Material</b>	CH	CH - chrome - nickel sheet

## Functioning:

The weight on the damper of draught regulator is balanced. When in a chimney duct the negative pressure rises too high, damper opens and lets fresh air in.

Thanks to this, pressure decreases because:

- fumes are cooler and in consequence the draught is smaller;
- chimney duct apart from fumes must conduct fresh air supplied by the damper, so there is a substantial increase of the air resistance

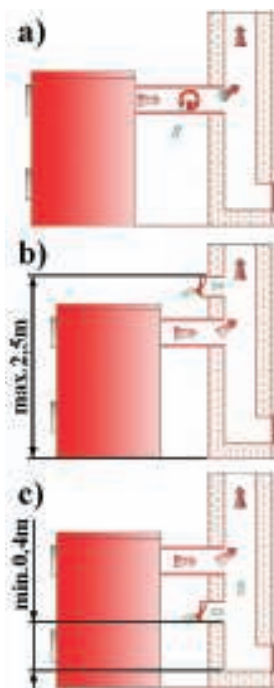
Changing the negative pressure settings on the draught regulator is made by screwing the damper balance (with its knob). On this knob there is a scale to set the negative pressure value, and on the label on the damper there is a mark showing the actual value set.



Damper closed

Damper open

## Placing:

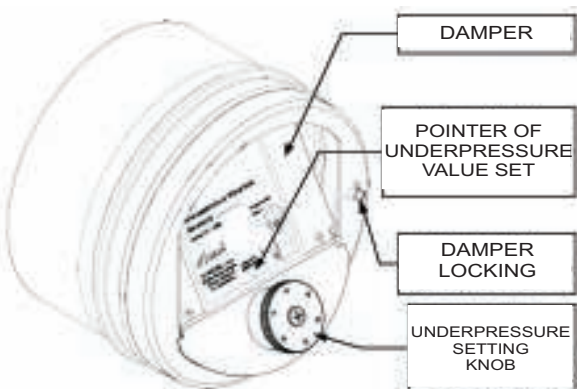


## Remarks:

- Draught regulator must be located in the same room as the heating device.
- Draught regulator must be mounted in a room where there is a properly functioning natural air supply ventilation (must be an inlet of fresh air)
- Draught regulator must be at an adequate distance from easy flammable elements:
  - door frames and similar parts made of flammable materials: min. 20[cm]
  - other parts which are made of or contain flammable materials: min: 40 [cm]
- It is **forbidden** to mount the draught regulator in room without natural ventilation!!
- Afterburning in the connector pipe or in chimney ducts is **unacceptable!**
- Do not allow to arise a soot fire in the chimney!!!
- Draught regulator cannot be installed on the way of the smoke and cannot disturb fumes flow in any other way.

## TECHNICAL DATA

Lp	Name	Value	
1	Group	<b>5</b>	
2	Norm	DIN 4795	
3	Underpressure range [Pa]	10 ÷ 35	
4	Max. fumes temp [°C]	400	
5	Chimney parameters (chimney height not bigger than 20m)	Max. chimney duct cross-section [cm <sup>2</sup> ]	Max. diameter of a round chimney duct [cm]
	I and II insulation class	500	25
	III insulation class	750	31



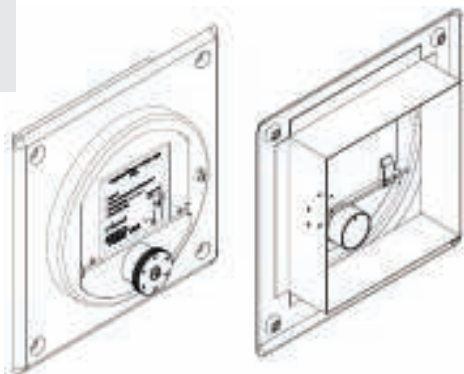
## Mounting position:



Regulator will work properly only if placed perfectly horizontal, like shown on the diagram above.

## Mounting:

### RCP

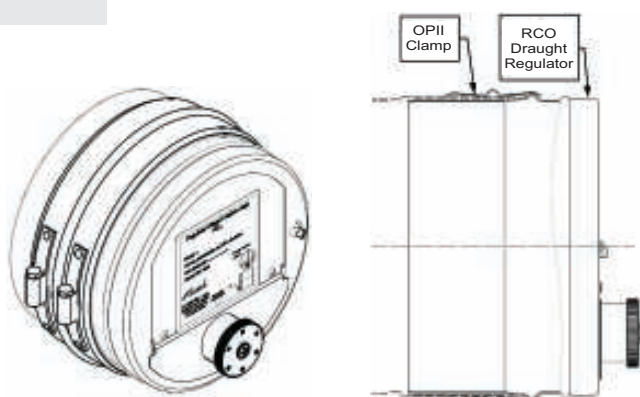


### RCP

#### Mounting steps:

1. Make a hole of 14 x 14cm in the chimney, which conducts to smoke duct.
2. Place the RCP draught regulator according to the mounting position and tick points where to drill
3. Drill mounting holes and put pins
4. Put some mastic (mastic must have a heat resistance of at least 600 °C).
5. Place the draught regulator RCP and screw it on. Remember to place the draught regulator in proper position.
6. Set the negative pressure level as recommended by the producer of heating device.

### RCO



### RCO

#### Mounting steps:

1. Insert the inlet pipe of RCO draught regulator into the smoke pipe bell or tee.
2. Set in proper mounting position.
3. Put on and tighten the clamp.
4. Set the negative pressure level as recommended by the producer of heating device.

## Usage and routine maintenance:

1. Every time after cleaning the chimney duct and after a long period of not using the regulator (the damper is locked by means of blockade) check if the draught regulator RC is clean.

2. Check:

- if the regulator is correctly mounted,
- the condition of damper hinges (if are not dusted)
- if the damper doesn't get stuck in the whole angle of rotation,
- if the damper closes tightly: especially that there is no dirt between the damper and the front of the regulator
- if no mechanical deformations have appeared, especially on the damper

## NOTICE

Maintenance operations should be also done:

- in autumn before the heating season;
- before each activation of the draught regulator which was turned off during operation of a heating device (by the damper locking switch), because soot can gather in draught regulator's inlet pipe, which could later disturb device operation

## Package contains:

### RCP

1. Draught regulator RCP 1 piece
2. Mounting pins 4 pieces
3. Instruction manual and warranty card

### RCO

1. Draught regulator RCP 1 piece
2. Mounting clamp OPII 1 piece
3. Instruction manual and warranty card

## Maintenance of the chimney ducts:

According to the Polish law, all chimney cowls need to be inspected by chimney-sweep. He should also clean the cowl from dirt. Following control schedule is prepared according to the Polish law. These figures can be slightly different in another country.

1. The conservation made by an chimney-sweep assistant shall be made in following frequency:

- smoke chimney ducts - 4 times a year
- gas or oil chimney ducts - 2 times a year
- ventilation ducts - once a year

2. Once a year there shall be a technical efficiency audit made by a qualified chimney-sweep.

While proceeding with maintenance - turn the generator off and unplug it. Put the chimney sweeper brush through the generator into the chimney duct.

Regarding other countries - local law and directives concerning the usage of this type of equipment shall applied and shall be obeyed.

While proceeding with maintenance it is recommended to check the following:

## WARRANTY CARD

“DARCO” Sp. z o.o. 39-206 Pustków Osiedle 48 gives warranty for the proper working of the Draught Regulator according to the technical conditions described in the instruction manual.

### **Warranty conditions:**

1. The warranty period is 24 months from the date of the purchase
2. The warranty assures free of charge repairs of the defects caused by imperfect parts and production defects. These defects have to be checked out by the selling party.
3. The warranty expires and the producer takes no responsibility for the damages caused by the following:
  - a) damages caused by imperfect loading or transport
  - b) damages caused by fire, flood, thunder or other acts of God
  - c) mounting not following the instruction manual
  - d) dismantling, repairing or changing parts without the producers permission
  - e) parts run out due to their natural life span
  - f) lack of proper maintenance (not following this instruction manual)
  - g) damages to the cowl mounted on the gas, oil or smoke chimney
4. The consumer has a right to replace the purchased good with a new one if it was already damaged two times, and broke for the third time.
5. The condition for the customer to fulfill the warranty is to bring the damaged product to the selling party and present:
  - a) correctly filled warranty card
  - b) receipt of purchase
6. In cases not mentioned by these regulations, standard regulations apply (Dz.U. Nr 141, pos. 1176).

**Both the seller and the buyer must assure that the warranty card is filled correctly, and has at least: name and surname of the customer or the company, his address, purchase date, along with the stamp and a signature of the seller.**

**Declaration of conformity:** DARCO Sp. z o.o. declares with full responsibility, that making the Draught Regulator RCO and RCK, designed to stabilize and decrease too big chimney draught in chimneys used with heating appliances, corresponds with the DIN 4795 norm.

# DRAUGHT REGULATOR

# DIN

# 4795

Type : .....

Production date : .....

Quality control signature : .....

.....  
Seller stamp

.....  
Purchase date

Short description of the damage

Name and address of the person/company applying for warranty repairment:

(To fill by the producer)

.....  
Stamp

Warranty prolonged until:

WARRANTY COUPON

