

DESCRIPTION

Chimney liner system <SWK> single-walled chimney liners and ducts, made of acid-resistant chrome-nickel steel sheet (type 1.4404 according to DIN 17441). They protect the inner surfaces of ceramic chimneys (exhausting wet fumes from oil and gas fired appliances), from the destructive functioning of acids.

Maximum working temperature - 450°C

The system of single walled chimney liners allows the adjustment of already existing chimney ducts to new specific working conditions.

Certificate of Factory Production Control 1450-CPD-0007 issued by INiG Cracow. Marked with CE sign.



Heat resistant chimney liner system <SWKŻ> single-walled chimney liners, made of heat-resistant chrome-nickel steel sheet (type 1.4828 according to DIN 17441). They protect inner surfaces of ceramic chimneys extracting fumes from wood fired heating devices.

Maximum working temperature - 600°C

The system of single walled heat resistant chimney liners allows the adjustment of already existing chimney ducts to new specific working conditions.

Certificate of Factory Production Control 1450-CPD-0007 issued by INiG Cracow. Marked with CE sign.

Round pipes and fittings, made of chrome-nickel steel sheet (type 1.4301 according to DIN 17441), are being applied to the ducts of mechanical and gravitational ventilation systems, air-heating and air-conditioning systems.

Maximum working temperature - 250°C

APPLICATION OF CHIMNEYS AND RECOMMENDED SHEET THICKNESSES

Diameter DN	W, S		D	W
	1.4404	1.4828	1.4301	
80	0.5	-	0.6	
100	0.5	-	0.6	
110	0.5	-	0.6	
120	0.5	1.0	0.6	
130	0.5	1.0	0.6	
140	0.6	1.0	0.6	
150	0.6	1.0	0.6	
160	0.6	1.0	0.6	
180	0.6	1.0	0.6	
200	0.6	1.0	0.6	
225	0.6	1.0	0.6	
250	0.8	1.0	0.8	
280	0.8	1.0	0.8	
300	0.8	1.0	0.8	
325	0.8	1.0	0.8	
350	0.8	1.0	0.8	
400	1.0	1.0	1.0	
450	1.0	-	1.0	
500	1.0	-	1.0	

TABLE OF LAYOUTS AND SIZES

Diameter DN	Lr	Dz	Dw	Dk	S
80	250	80.1	79.1	81.1	0.5
100	315	100.8	99.8	101.8	
110	350	111.9	110.9	112.9	
120	385	123.0	122.0	124.0	
130	415	132.6	131.6	133.6	
140	440	140.7	139.5	141.7	0.6
150	475	151.8	150.6	152.8	
160	505	161.4	160.2	162.4	
180	570	182.0	180.8	183.0	
200	630	201.1	199.9	202.1	
225	710	226.6	225.4	227.6	0.8
250	790	252.3	250.7	253.3	
280	880	280.9	279.3	282.6	
300	945	301.6	300.0	302.6	
325	1020	325.5	323.9	327.0	
350	1100	350.9	349.3	352.4	1.0
400	1260	402.1	400.1	403.6	
450	1415	451.4	449.4	452.9	
500	1575	502.3	500.3	503.8	

DESTINATION

W - ventilation ducts
S - fume (oil and gas) ducts
D - smoke ducts

MEASUREMENTS

Lr- metal sheet layout [mm] ±0,1
Dz- outer diameter of pipe [mm] ±0,1
Dw- inner diameter of pipe [mm] ±0,1
Dk- inner diameter of bell joint of pipe [mm] ±0,1
S- metal sheet thickness [mm]

BELL JOINT OF THE PIPE

Individual elements of the chimney system are being joint by the way of pushing one part of the element - a spigot, into the other press-formed part of the element - a bell. Thanks to this type of pipe joining, chimney liner is characterized by very tight and stiff construction. It also assures the proper flow of condensate, along walls of the chimney straight to the condensate drain bowl.

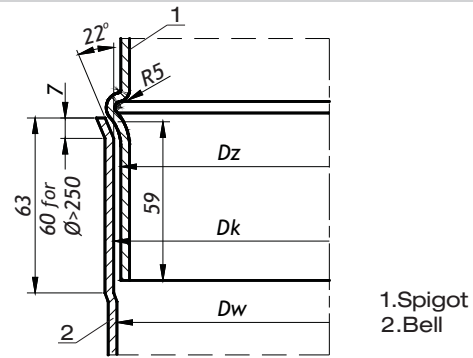
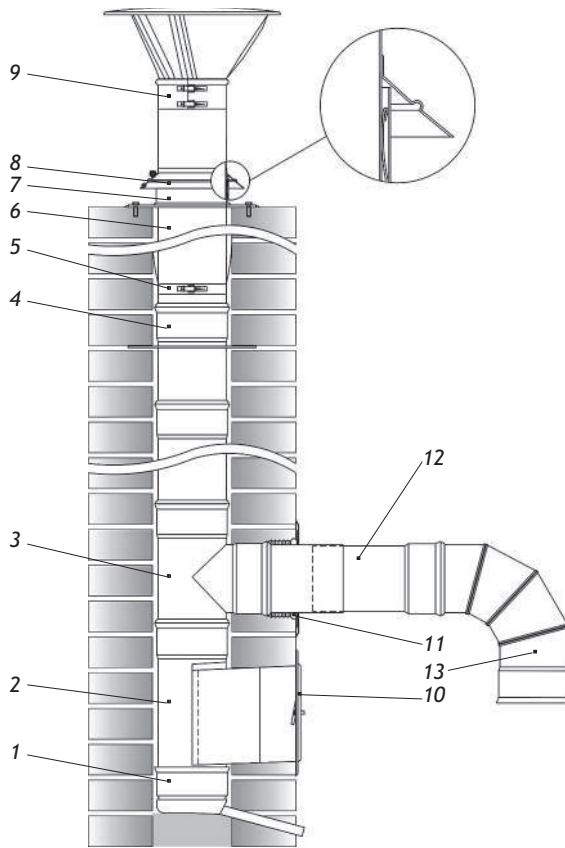


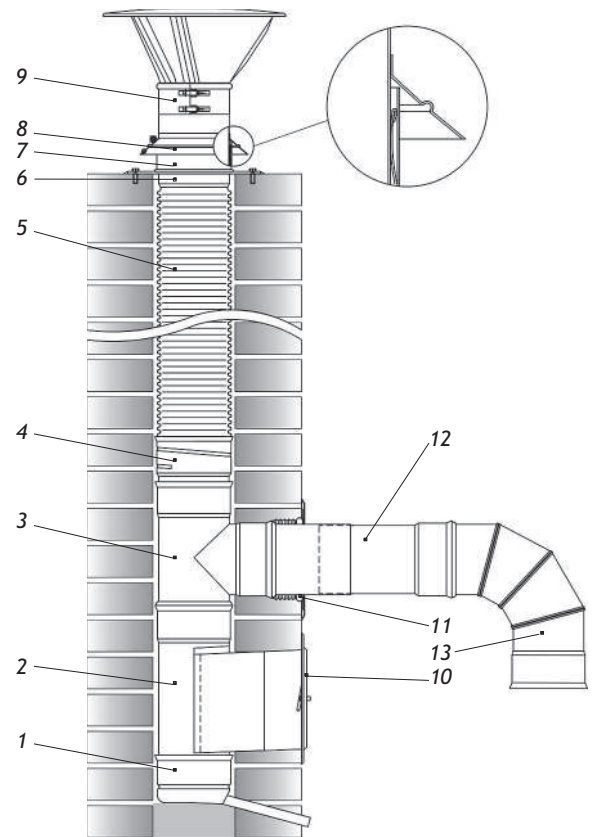
Fig.9. The method of joining single-walled pipe elements.

MODEL APPLICATION OF THE ELEMENTS



Pos	Name	Denotation
1	Condensate drain bowl	MS150-CH
2	Clean out element	WC150-CH6
3	Tee 90°	TR150/90-CH6
4	Intermediate support	PP150-CH6
5	Stabilizing brackets	OU150-CH
6	Straight pipe 1m	RP150/1000-CH6
7	Roof plate	PD150-CH
8	Rain collar	KPD150-CH
9	Cap	DK150-CH6
10	Doors	DW125X185
11	Rosette	ROZ150-H17
12	Telescopic pipe	RT150/2X250-CH6
13	Adjustable elbow 0-90°	KN150/90-CH6

Fig.10. An example of a single walled chimney construction (rigid pipes)



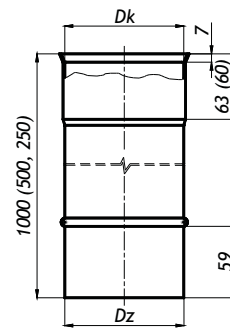
Pos	Name	Denotation
1	Condensate drain bowl	MS150-CH
2	Clean out element	WC150-CH6
3	Tee 90°	TR150/90-CH6
4	Flexible pipe bell-type connector	ZRD150-CH6-K-ST
5	Stainless flexible pipe	RESF 150-CH
6	Flexible pipe spigot-type connector	ZRD150-CH6-N-ST
7	Roof plate	PD150-CH
8	Rain collar	KPD150-CH
9	Cap	DK150-CH6
10	Doors	DW125X185
11	Rosette	ROZ150-H17
12	Telescopic pipe	RT150/2X250-CH6
13	Adjustable elbow 0-90°	KN150/90-CH6

Fig.11. An example of a single walled chimney construction (flexible pipes)

PICTURE

MEASUREMENTS

1. STRAIGHT PIPE RP



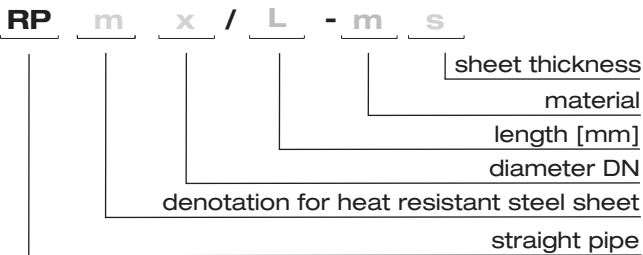
RP

Diameter DN	Ø80	Ø100	Ø110	Ø120	Ø130	Ø140	Ø150	Ø160	Ø180	Ø200	Ø225	Ø250	Ø300	Ø350	Ø400	Ø450	Ø500
Dz	80.2	100.9	112.1	123.2	132.8	140.7	151.9	161.4	182.1	201.2	226.7	252.2	301.6	350.9	401.9	451.2	502.2
Dk	81.2	101.9	113.1	124.2	133.8	141.7	152.9	162.4	183.1	202.2	227.7	253.2	302.6	351.9	402.9	452.2	503.2
Weight [kg]	1.20	1.50	1.70	1.85	2.00	2.10	2.30	2.40	2.75	3.00	3.40	3.80	4.55	5.30	6.05	6.80	7.55

for s=0.6

DENOTATIONS / PRODUCT CODES

MATERIALS

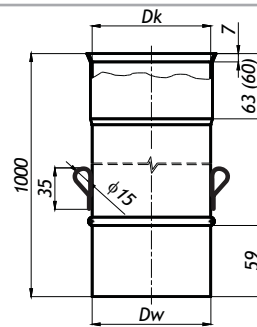


Destination	W	W	-	W - ventilation ducts
	S	-	-	S - flue (oil and gas) ducts
	-	-	D	D - smoke ducts
Material	CH	-	-	CH - stainless steel 1.4404
	-	X	-	X - stainless steel 1.4301
	-	-	Z	Z - heat resistant steel 1.4828
Sheet thickness s	5	-	-	5 - thickness 0,5 mm
	6	6	-	6 - thickness 0,6 mm
	8	8	8	8 - thickness 0,8 mm
	1	1	1	1 - thickness 1,0 mm

PICTURE

MEASUREMENTS

2. STRAIGHT PIPE 1000 WITH MOUNTING HANDLES RU



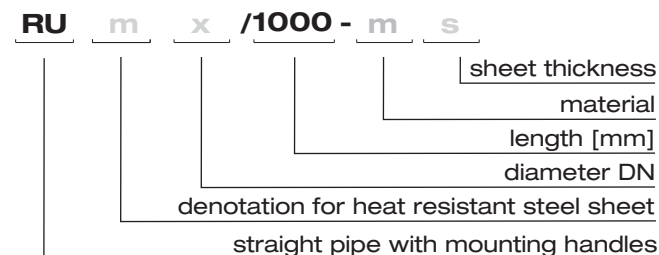
RU

Diameter DN	Ø80	Ø100	Ø110	Ø120	Ø130	Ø140	Ø150	Ø160	Ø180	Ø200	Ø225	Ø250	Ø300	Ø350	Ø400	Ø450	Ø500
Dz	80.2	100.9	112.1	123.2	132.8	140.7	151.9	161.4	182.1	201.2	226.7	252.2	301.6	350.9	401.9	451.2	502.2
Dk	81.2	101.9	113.1	124.2	133.8	141.7	152.9	162.4	183.1	202.2	227.7	253.2	302.6	351.9	402.9	452.2	503.2
Weight [kg]	1.20	1.50	1.70	1.85	2.00	2.10	2.30	2.40	2.75	3.00	3.40	3.80	4.55	5.30	6.05	6.80	7.55

for s=0.6

DENOTATIONS / PRODUCT CODES

MATERIALS



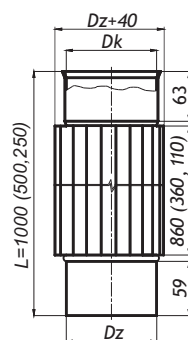
Destination	W	W	-	W - ventilation ducts
	S	-	-	S - flue (oil and gas) ducts
	-	-	D	D - smoke ducts
Material	CH	-	-	CH - stainless steel 1.4404
	-	X	-	X - stainless steel 1.4301
	-	-	Z	Z - heat resistant steel 1.4828
Sheet thickness s	5	-	-	5 - thickness 0,5 mm
	6	6	-	6 - thickness 0,6 mm
	8	8	8	8 - thickness 0,8 mm
	1	1	1	1 - thickness 1,0 mm

PICTURE

MEASUREMENTS

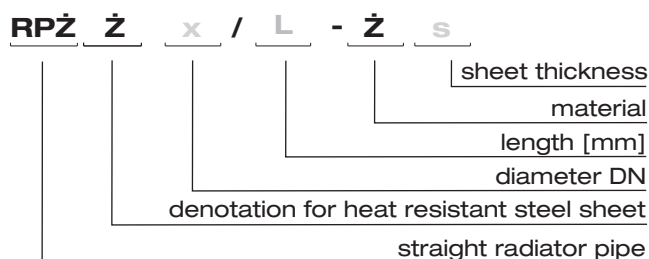
3. STRAIGHT RADIATOR PIPE RPŽŽ

RPŽŽ



Diameter DN	Ø120	Ø130	Ø140	Ø150	Ø160	Ø180	Ø200	Ø225	Ø250	Ø300	for s=1.0
Dz	123.2	132.8	140.7	151.9	161.4	182.1	201.2	226.7	252.2	301.6	
Dk	124.2	133.8	141.7	152.9	162.4	183.1	202.2	227.7	253.2	302.6	
Weight [kg]	6.05	6.60	7.15	7.60	8.20	9.10	10.15	11.45	12.75	15.30	

DENOTATIONS / PRODUCT CODES



MATERIALS

Destination	-	-	-	W - ventilation ducts
	-	-	-	S - flue (oil and gas) ducts
	-	-	D	D - smoke ducts
Material	-	-	-	CH - stainless steel 1.4404
	-	-	-	X - stainless steel 1.4301
	-	-	Ž	Ž - heat resistant steel 1.4828
Sheet thickness s	-	-	-	5 - thickness 0,5 mm
	-	-	-	6 - thickness 0,6 mm
	-	-	8	8 - thickness 0,8 mm
	-	-	1	1 - thickness 1,0 mm

PICTURE

MEASUREMENTS

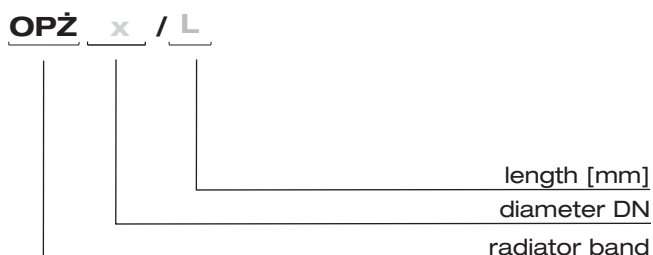
4. RADIATOR BAND OPŽ

OPŽ



Diameter DN	Ø120	Ø130	Ø140	Ø150	Ø160	Ø180	Ø200	Ø225	Ø250	Ø300	for s=0.6
Dw	123.2	132.8	140.7	151.9	161.4	182.1	201.2	226.7	252.2	301.6	
Weight [kg]	2.90	3.30	3.60	3.80	4.10	4.60	5.10	5.80	6.45	7.75	

DENOTATIONS / PRODUCT CODES



MATERIALS

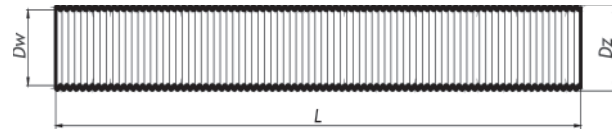
Destination	-	-	-	W - ventilation ducts
	-	-	-	S - flue (oil and gas) ducts
	-	-	D	D - smoke ducts
Material	-	-	-	CH - stainless steel 1.4404
	-	-	X	X - stainless steel 1.4301
	-	-	Ž	Ž - heat resistant steel 1.4828
Sheet thickness s	-	-	-	5 - thickness 0,5 mm
	-	-	6	6 - thickness 0,6 mm
	-	-	8	8 - thickness 0,8 mm
	-	-	1	1 - thickness 1,0 mm

PICTURE

MEASUREMENTS

5. SINGLE WALLED FLEXIBLE STAINLESS PIPE RESF

RESF



Diameter DN	Ø80	Ø100	Ø110	Ø120	Ø130	Ø140	Ø150	Ø160	Ø180	Ø200	for s=0.12
Dw	80	100	110	120	130	140	150	160	180	200	
Dz	87	107	107	127	137	147	157	167	187	207	
Weight [kg]	0.70	0.90	1.00	1.10	1.20	1.25	1.35	1.45	1.65	1.80	

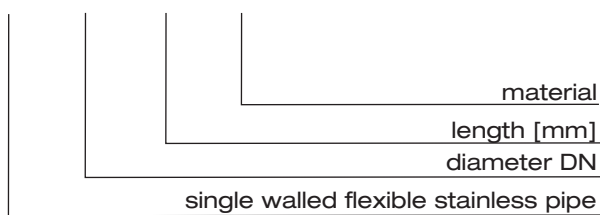
Weight of 1mb of flexible pipe

Maximum length = 50 [m]
Minimal bending radius = 3D
Max. working temp = 600°C

DENOTATIONS / PRODUCT CODES

MATERIALS

RESF x / L - CH



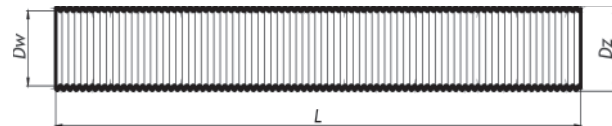
Destination	W	-	-	W - ventilation ducts
	S	-	-	S - flue (oil and gas) ducts
	-	-	-	D - smoke ducts
Material	CH	-	-	CH - stainless steel 1.4404
	-	-	-	X - stainless steel 1.4301
	-	-	-	Z - heat resistant steel 1.4828
Sheet thickness s	12	-	-	12 - thickness 0,12 mm
	-	-	-	6 - thickness 0,6 mm
	-	-	-	8 - thickness 0,8 mm
	-	-	-	1 - thickness 1,0 mm

PICTURE

MEASUREMENTS

6. DOUBLE - WALLED FLEXIBLE STAINLESS PIPE DUOFLEX

DUO



Diameter DN	Ø130	Ø150	Ø180	Ø200	for s=2x0.12
Dw	130	150	180	200	
Dz	137	157	187	207	
Weight [kg]	2.40	2.70	3.20	3.60	

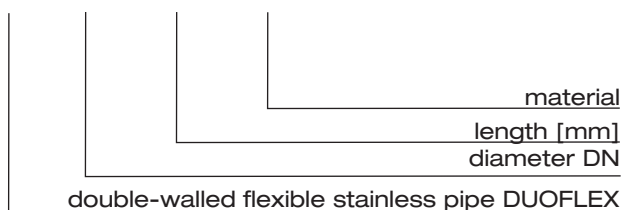
Weight of 1mb of flexible pipe

Maximum length = 30 [m]
Minimal bending radius = 0,4[m]
Max. working temp = 600°C

DENOTATIONS / PRODUCT CODES

MATERIALS

DUO x / L - CH



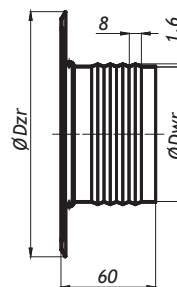
Destination	W	-	-	W - ventilation ducts
	S	-	-	S - flue (oil and gas) ducts
	D	-	-	D - smoke ducts
Material	CH	-	-	CH - stainless steel 1.4404
	-	-	-	X - stainless steel 1.4301
	-	-	-	Z - heat resistant steel 1.4828
Sheet thickness s	2x12	-	-	12 - thickness 0,12 mm
	-	-	-	6 - thickness 0,6 mm
	-	-	-	8 - thickness 0,8 mm
	-	-	-	1 - thickness 1,0 mm

PICTURE

MEASUREMENTS

7. ROSETTE ROZ

ROZ

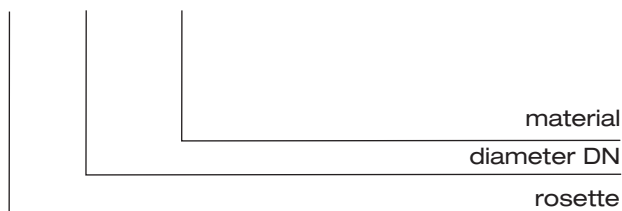


Diameter DN	Ø80	Ø100	Ø110	Ø120	Ø130	Ø140	Ø150	Ø160	Ø180	Ø200	Ø225	Ø250	Ø300	Ø350	Ø400	Ø450	Ø500
Dwr [mm]	86	106	117	126	136	146	156	166	186	206	231	256	306	356	406	456	506
Dzr [mm]	160	177	188	207	217	227	247	257	277	297	322	347	398	448	498	548	598
Weight [kg]	0.12	0.14	0.16	0.18	0.19	0.21	0.23	0.25	0.28	0.30	0.34	0.37	0.44	0.51	0.58	0.65	0.72

for s=0.5

DENOTATIONS / PRODUCT CODES

ROZ **x** **- H17**



MATERIALS

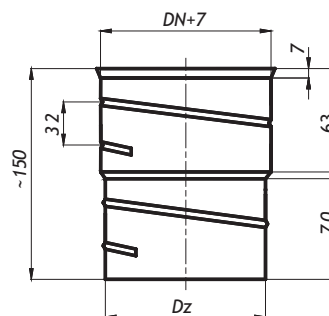
Destination	W	-	-	W - ventilation ducts
	S	-	-	S - flue (oil and gas) ducts
	D	-	-	D - smoke ducts
Material	H17	-	-	H17 - chrome steel 1.4016
	-	-	-	X - stainless steel 1.4301
	-	-	-	Z - heat resistant steel 1.4828
Sheet thickness s	5	-	-	5 - thickness 0,5 mm
	-	-	-	6 - thickness 0,6 mm
	-	-	-	8 - thickness 0,8 mm
	-	-	-	1 - thickness 1,0 mm

PICTURE

MEASUREMENTS

8. SINGLE WALLED FLEXIBLE PIPE CONNECTOR ZST

ZST

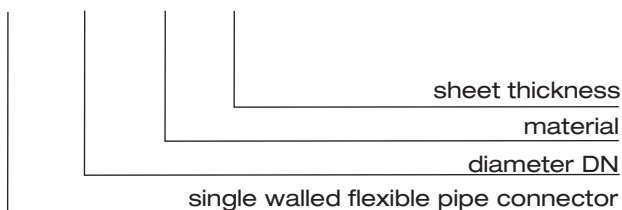


Diameter DN	Ø80	Ø100	Ø110	Ø120	Ø130	Ø140	Ø150	Ø160	Ø180	Ø200
Dz	78	98	108	118	128	138	148	158	178	198
Weight [kg]	0.18	0.22	0.25	0.27	0.29	0.31	0.34	0.36	0.40	0.44

for s=0.6

DENOTATIONS / PRODUCT CODES

ZST **x** **- m** **s**



MATERIALS

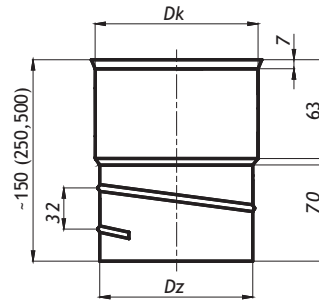
Destination	W	W	-	W - ventilation ducts
	S	-	-	S - flue (oil and gas) ducts
	-	-	-	D - smoke ducts
Material	CH	-	-	CH - stainless steel 1.4404
	-	X	-	X - stainless steel 1.4301
	-	-	-	Z - heat resistant steel 1.4828
Sheet thickness s	5	5	-	5 - thickness 0,5 mm
	6	6	-	6 - thickness 0,6 mm
	-	-	-	8 - thickness 0,8 mm
	-	-	-	1 - thickness 1,0 mm

PICTURE

MEASUREMENTS

9. SINGLE WALLED FLEXIBLE PIPE SPIGOT-TYPE CONNECTOR ZST-N

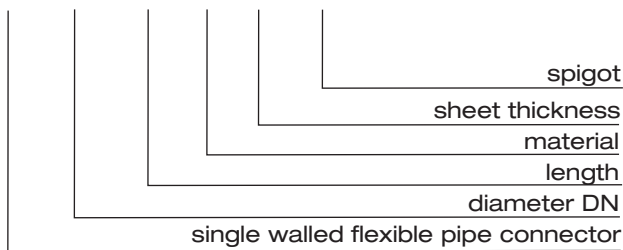
ZST-N



Diameter DN	Ø80	Ø100	Ø110	Ø120	Ø130	Ø140	Ø150	Ø160	Ø180	Ø200	for s=0.6
Dz	78	98	108	118	128	138	148	158	178	198	
Dk	81.2	101.9	113.1	124.2	133.8	141.7	152.9	162.4	183.1	202.2	
Weight [kg]	0.18	0.22	0.25	0.27	0.29	0.31	0.34	0.36	0.40	0.44	

DENOTATIONS / PRODUCT CODES

ZST x / L - m s - N



MATERIALS

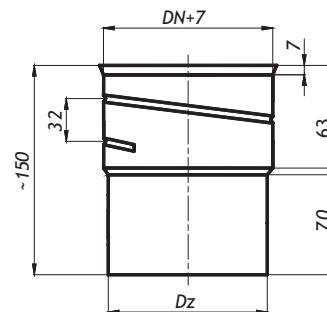
Destination	W	W	-	W - ventilation ducts
	S	-	-	S - flue (oil and gas) ducts
	-	-	-	D - smoke ducts
Material	CH	-	-	CH - stainless steel 1.4404
	-	X	-	X - stainless steel 1.4301
	-	-	Z	Z - heat resistant steel 1.4828
Sheet thickness s	5	5	-	5 - thickness 0,5 mm
	6	6	-	6 - thickness 0,6 mm
	-	-	-	8 - thickness 0,8 mm
	-	-	-	1 - thickness 1,0 mm

PICTURE

MEASUREMENTS

10. SINGLE WALLED FLEXIBLE PIPE BELL - TYPE CONNECTOR ZST-K

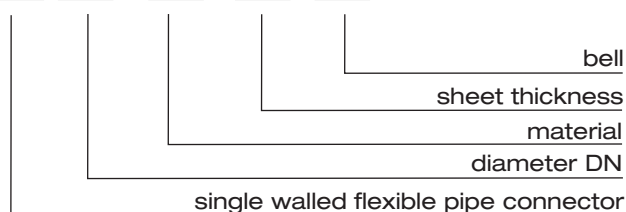
ZST-K



Diameter DN	Ø80	Ø100	Ø110	Ø120	Ø130	Ø140	Ø150	Ø160	Ø180	Ø200	for s=0.6
Dz	80.2	100.9	112.1	123.2	132.8	140.7	151.9	161.4	182.1	201.2	
Weight [kg]	0.18	0.22	0.25	0.27	0.29	0.31	0.34	0.36	0.40	0.44	

DENOTATIONS / PRODUCT CODES

ZST x - m s - K



MATERIALS

Destination	W	W	-	W - ventilation ducts
	S	-	-	S - flue (oil and gas) ducts
	-	-	-	D - smoke ducts
Material	CH	-	-	CH - stainless steel 1.4404
	-	X	-	X - stainless steel 1.4301
	-	-	Z	Z - heat resistant steel 1.4828
Sheet thickness s	5	5	-	5 - thickness 0,5 mm
	6	6	-	6 - thickness 0,6 mm
	-	-	-	8 - thickness 0,8 mm
	-	-	-	1 - thickness 1,0 mm

PICTURE

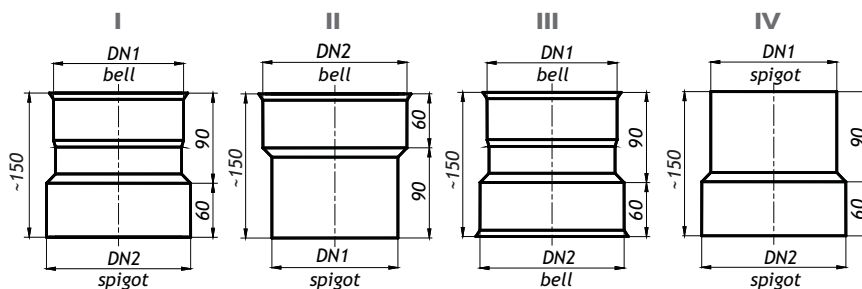
11. REDUCER (BELL-TYPE) RD-R



MEASUREMENTS

VERSION:

RD-R

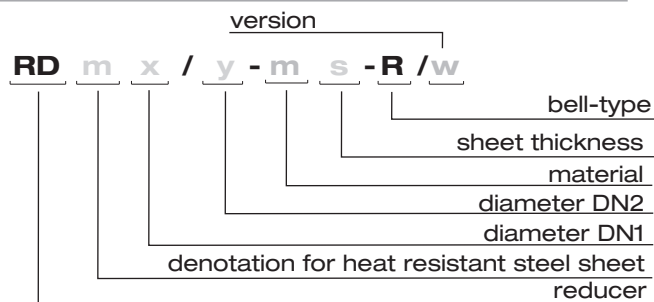


Diameter differences range: $DN2 - DN1 \leq 20$

Diameter DN	Ø80	Ø100	Ø110	Ø120	Ø130	Ø140	Ø150	Ø160	Ø180	Ø200	Ø225	Ø250	Ø300	Ø350	Ø400	Ø450	Ø500
Dz - spigot	80.2	100.9	112.1	123.2	132.8	140.7	151.9	161.4	182.1	201.2	226.7	252.2	301.6	350.9	401.9	451.2	502.2
Dk - bell	81.2	101.9	113.1	124.2	133.8	141.7	152.9	162.4	183.1	202.2	227.7	253.2	302.6	351.9	402.9	452.2	503.2
Weight [kg]	0.18	0.23	0.25	0.28	0.30	0.32	0.34	0.36	0.41	0.45	0.51	0.57	0.68	0.79	0.90	1.00	1.13

for s=0.6

DENOTATIONS / PRODUCT CODES



MATERIALS

Destination	W	W	-	W - ventilation ducts
	S	-	-	S - flue (oil and gas) ducts
	-	-	D	D - smoke ducts
Material	CH	-	-	CH - stainless steel 1.4404
	-	X	-	X - stainless steel 1.4301
	-	-	Ž	Ž - heat resistant steel 1.4828
Sheet thickness s	5	-	-	5 - thickness 0,5 mm
	6	6	-	6 - thickness 0,6 mm
	8	8	8	8 - thickness 0,8 mm
	1	1	1	1 - thickness 1,0 mm

PICTURE

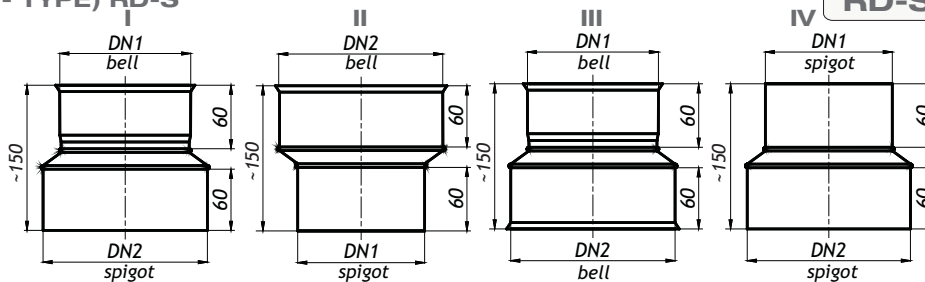
12. REDUCER (SEGMENT - TYPE) RD-S



MEASUREMENTS

VERSION:

RD-S

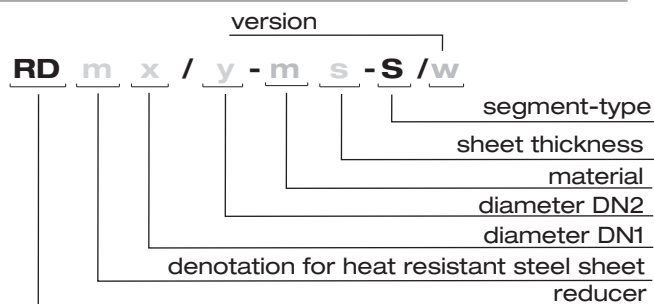


Diameter differences range: $DN2 - DN1 > 20$

Diameter DN	Ø80	Ø100	Ø110	Ø120	Ø130	Ø140	Ø150	Ø160	Ø180	Ø200	Ø225	Ø250	Ø300	Ø350	Ø400	Ø450	Ø500
Dz - spigot	80.2	100.9	112.1	123.2	132.8	140.7	151.9	161.4	182.1	201.2	226.7	252.2	301.6	350.9	401.9	451.2	502.2
Dk - bell	81.2	101.9	113.1	124.2	133.8	141.7	152.9	162.4	183.1	202.2	227.7	253.2	302.6	351.9	402.9	452.2	503.2
Weight [kg]	depends on measurements																

for s=0.6

DENOTATIONS / PRODUCT CODES



MATERIALS

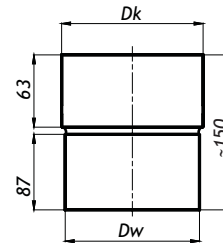
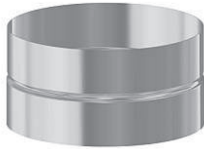
Destination	W	W	-	W - ventilation ducts
	S	-	-	S - flue (oil and gas) ducts
	-	-	D	D - smoke ducts
Material	CH	-	-	CH - stainless steel 1.4404
	-	X	-	X - stainless steel 1.4301
	-	-	Ž	Ž - heat resistant steel 1.4828
Sheet thickness s	5	-	-	5 - thickness 0,5 mm
	6	6	-	6 - thickness 0,6 mm
	8	8	8	8 - thickness 0,8 mm
	1	1	1	1 - thickness 1,0 mm

PICTURE

MEASUREMENTS

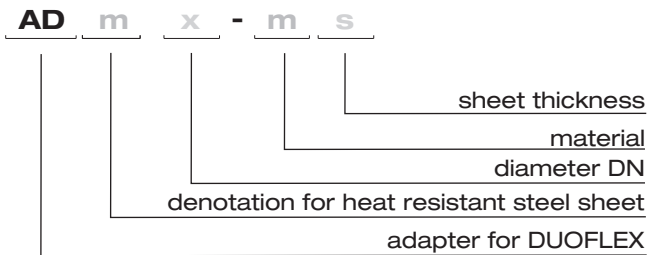
13. ADAPTER FOR DUOFLEX FLEXIBLE PIPE AD

AD



Diameter DN	Ø130	Ø150	Ø180	Ø200	Ø225	for s=1.0
Dw	133.9	153.0	183.4	202.3	227.8	
Dk	138	158	188	208	233	
Weight [kg]	0.50	0.60	0.70	0.75	0.85	

DENOTATIONS / PRODUCT CODES



MATERIALS

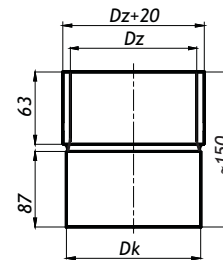
Destination	W	-	-	W - ventilation ducts
	S	-	-	S - flue (oil and gas) ducts
	-	-	D	D - smoke ducts
Material	CH	-	-	CH - stainless steel 1.4404
	-	-	-	X - stainless steel 1.4301
	-	-	Ż	Ż - heat resistant steel 1.4828
Sheet thickness s	-	-	-	5 - thickness 0,5 mm
	-	-	-	6 - thickness 0,6 mm
	8	-	8	8 - thickness 0,8 mm
	1	-	1	1 - thickness 1,0 mm

PICTURE

MEASUREMENTS

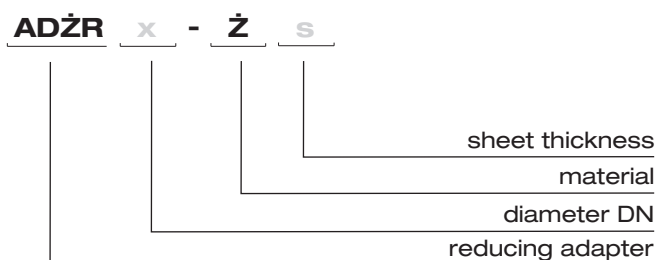
14. REDUCING ADAPTER ADŻR-Ż1

ADŻR-Ż1



Diameter DN	Ø130	Ø150	Ø180	Ø200	for s=1.0
Dk	133.9	153.0	183.4	202.3	
Dz	128	148	178	198	
Weight [kg]	0.50	0.60	0.70	0.75	

DENOTATIONS / PRODUCT CODES



MATERIALS

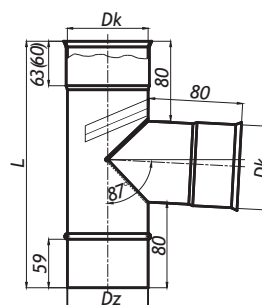
Destination	W	-	-	W - ventilation ducts
	S	-	-	S - flue (oil and gas) ducts
	-	-	D	D - smoke ducts
Material	CH	-	-	CH - stainless steel 1.4404
	-	-	-	X - stainless steel 1.4301
	-	-	Ż	Ż - heat resistant steel 1.4828
Sheet thickness s	-	-	-	5 - thickness 0,5 mm
	-	-	-	6 - thickness 0,6 mm
	8	-	8	8 - thickness 0,8 mm
	1	-	1	1 - thickness 1,0 mm

PICTURE

15. TEE 90° TR/90



MEASUREMENTS

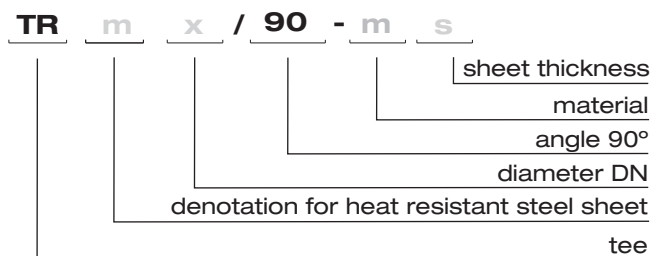


TR/90

Diameter DN	Ø80	Ø100	Ø110	Ø120	Ø130	Ø140	Ø150	Ø160	Ø180	Ø200	Ø225	Ø250	Ø300	Ø350	Ø400	Ø450	Ø500
Dz	80.2	100.9	112.1	123.2	132.8	140.7	151.9	161.4	182.1	201.2	226.7	252.2	301.6	350.9	401.9	451.2	502.2
Dk	81.2	101.9	113.1	124.2	133.8	141.7	152.9	162.4	183.1	202.2	227.7	253.2	302.6	351.9	402.9	452.2	503.2
L [mm]	230	250	270	270	280	300	300	310	330	350	380	400	450	500	550	600	650
Weight [kg]	0.40	0.50	0.60	0.65	0.70	0.80	0.85	0.95	1.10	1.30	1.55	1.80	2.40	3.05	3.80	4.60	5.50

for s=0.6

DENOTATIONS / PRODUCT CODES



MATERIALS

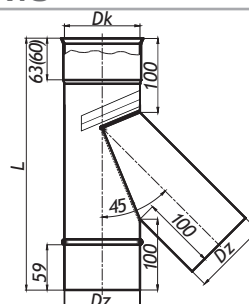
Destination	W	W	-	W - ventilation ducts
	S	-	-	S - flue (oil and gas) ducts
	-	-	D	D - smoke ducts
Material	CH	-	-	CH - stainless steel 1.4404
	-	X	-	X - stainless steel 1.4301
	-	-	Ž	Ž - heat resistant steel 1.4828
Sheet thickness s	5	-	-	5 - thickness 0,5 mm
	6	6	-	6 - thickness 0,6 mm
	8	8	8	8 - thickness 0,8 mm
	1	1	1	1 - thickness 1,0 mm

PICTURE

16. TEE 45° TR/45



MEASUREMENTS

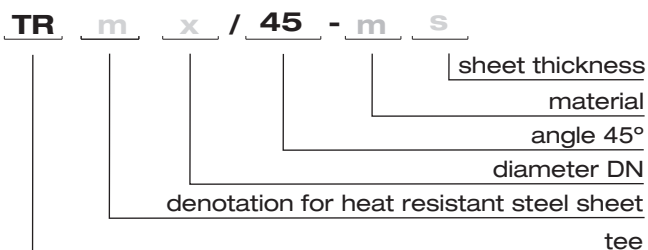


TR/45

Diameter DN	Ø80	Ø100	Ø110	Ø120	Ø130	Ø140	Ø150	Ø160	Ø180	Ø200	Ø225	Ø250	Ø300	Ø350	Ø400	Ø450	Ø500
Dz	80.2	100.9	112.1	123.2	132.8	140.7	151.9	161.4	182.1	201.2	226.7	252.2	301.6	350.9	401.9	451.2	502.2
Dk	81.2	101.9	113.1	124.2	133.8	141.7	152.9	162.4	183.1	202.2	227.7	253.2	302.6	351.9	402.9	452.2	503.2
L [mm]	315	340	355	375	385	390	415	425	455	480	520	550	625	695	765	835	910
Weight [kg]	0.50	0.65	0.75	0.90	0.95	1.00	1.20	1.30	1.50	1.75	2.10	2.45	3.30	4.20	5.25	6.35	7.65

for s=0.6

DENOTATIONS / PRODUCT CODES



MATERIALS

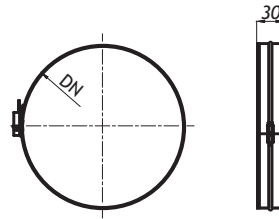
Destination	W	W	-	W - ventilation ducts
	S	-	-	S - flue (oil and gas) ducts
	-	-	D	D - smoke ducts
Material	CH	-	-	CH - stainless steel 1.4404
	-	X	-	X - stainless steel 1.4301
	-	-	Ž	Ž - heat resistant steel 1.4828
Sheet thickness s	5	-	-	5 - thickness 0,5 mm
	6	6	-	6 - thickness 0,6 mm
	8	8	8	8 - thickness 0,8 mm
	1	1	1	1 - thickness 1,0 mm

PICTURE

MEASUREMENTS

17. DUOFLEX CONNECTING CLAMP DUO-OP-Ż

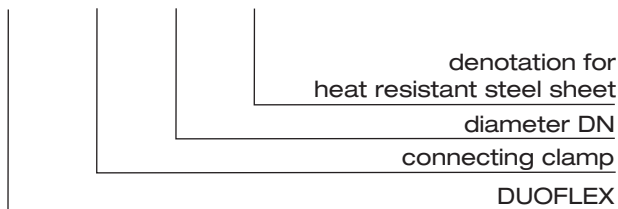
DUO-OP-Ż



Diameter DN	Ø130	Ø150	Ø180	Ø200	Ø225	for s=0.8
Weight [kg]	0.14	0.15	0.17	0.18	0.19	

DENOTATIONS / PRODUCT CODES

DUO - OP - x - Ż



MATERIALS

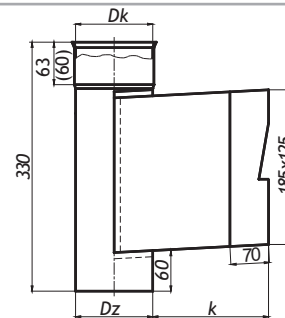
Destination	-	-	W	W - ventilation ducts
	-	-	S	S - flue (oil and gas) ducts
	-	-	D	D - smoke ducts
Material	-	-	-	CH - stainless steel 1.4404
	-	-	X	X - stainless steel 1.4301
	-	-	Ż	Ż - heat resistant steel 1.4828
Sheet thickness s	-	-	-	5 - thickness 0,5 mm
	-	-	-	6 - thickness 0,6 mm
	-	-	8	8 - thickness 0,8 mm
	-	-	-	1 - thickness 1,0 mm

PICTURE

MEASUREMENTS

18. CLEAN OUT ELEMENT WC

WC

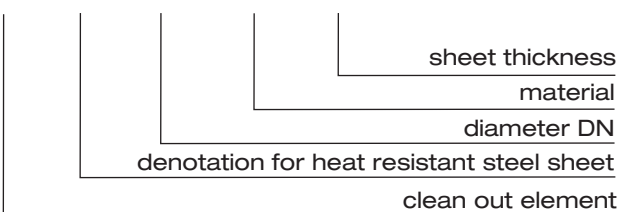


Diameter DN	Ø80	Ø100	Ø110	Ø120	Ø130	Ø140	Ø150	Ø160	Ø180	Ø200	Ø225	Ø250	Ø300	Ø350	Ø400	Ø450	Ø500	for s=0.6
Dz	80.2	100.9	112.1	123.2	132.8	140.7	151.9	161.4	182.1	201.2	226.7	252.2	301.6	350.9	401.9	451.2	502.2	
Dk	81.2	101.9	113.1	124.2	133.8	141.7	152.9	162.4	183.1	202.2	227.7	253.2	302.6	351.9	402.9	452.2	503.2	
k	170	160	155	150	145	140	135	155	145	135	157	145	145	145	145	145	145	
Weight [kg]	0.90	1.00	1.05	1.10	1.10	1.10	1.15	1.30	1.35	1.40	1.60	1.70	1.95	2.20	2.45	2.70	2.95	

DENOTATIONS / PRODUCT CODES

MATERIALS

WC m x - m s



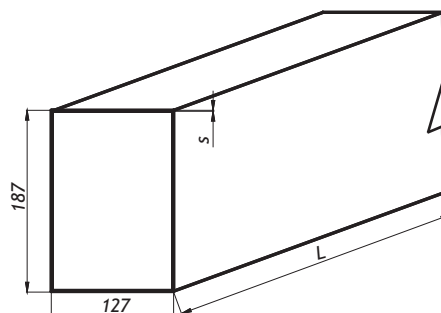
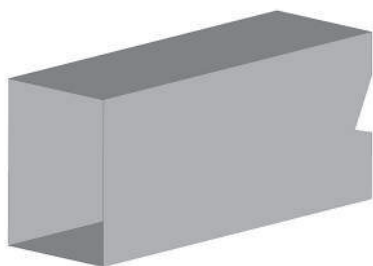
Destination	W	W	-	W - ventilation ducts
	S	-	-	S - flue (oil and gas) ducts
	-	-	D	D - smoke ducts
Material	CH	-	-	CH - stainless steel 1.4404
	-	X	-	X - stainless steel 1.4301
	-	-	Ż	Ż - heat resistant steel 1.4828
Sheet thickness s	5	-	-	5 - thickness 0,5 mm
	6	6	-	6 - thickness 0,6 mm
	8	8	8	8 - thickness 0,8 mm
	1	1	1	1 - thickness 1,0 mm

PICTURE

MEASUREMENTS

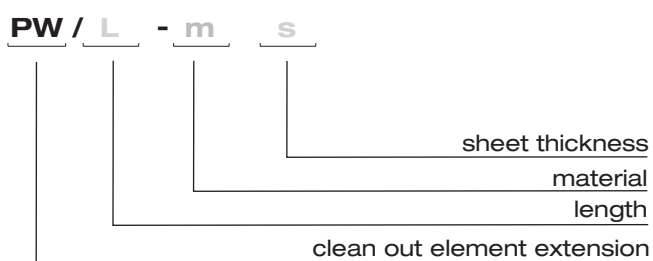
19. CLEAN OUT ELEMENT EXTENSION PW

PW



Length L [mm]	200	300	500	1000	for s=0.6
Weight [kg]	0.60	0.90	1.50	2.95	

DENOTATIONS / PRODUCT CODES



MATERIALS

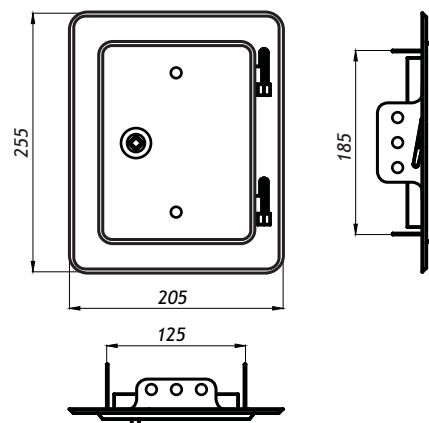
Destination	W	W	-	W - ventilation ducts
	S	-	-	S - flue (oil and gas) ducts
	-	-	D	D - smoke ducts
Material	CH	-	-	CH - stainless steel 1.4404
	-	X	-	X - stainless steel 1.4301
	-	-	Ž	Ž - heat resistant steel 1.4828
Sheet thickness s	5	-	-	5 - thickness 0,5 mm
	6	6	-	6 - thickness 0,6 mm
	8	8	8	8 - thickness 0,8 mm
	1	1	1	1 - thickness 1,0 mm

PICTURE

MEASUREMENTS

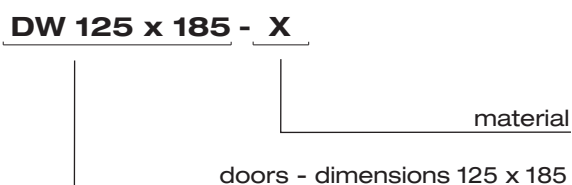
20. DOORS DW

DW



Weight [kg] 0.6

DENOTATIONS / PRODUCT CODES



MATERIALS

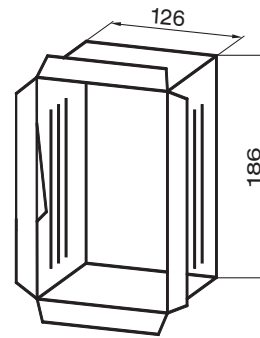
Destination	-	W	-	W - ventilation ducts
	-	S	-	S - flue (oil and gas) ducts
	-	-	D	D - smoke ducts
Material	-	-	-	CH - stainless steel 1.4404
	-	X	-	X - stainless steel 1.4301
	-	-	-	Ž - heat resistant steel 1.4828
Sheet thickness s	-	-	-	5 - thickness 0,5 mm
	-	-	-	6 - thickness 0,6 mm
	-	8	-	8 - thickness 0,8 mm
	-	-	-	1 - thickness 1,0 mm

PICTURE

MEASUREMENTS

21. DRAUGHT REGULATOR DOOR FRAME RCW RM-DW

RM-DW

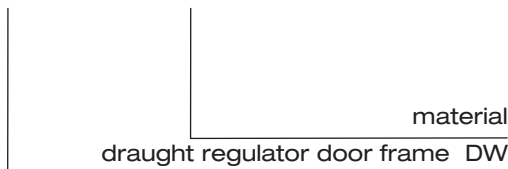


Weight [kg]

0.50

DENOTATIONS / PRODUCT CODES

RM-DW 125x185 X



MATERIALS

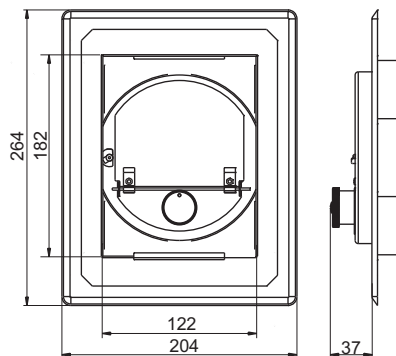
Destination	W	W	-	W - ventilation ducts
	S	-	-	S - flue (oil and gas) ducts
	-	-	D	D - smoke ducts
Material	CH	-	-	CH - stainless steel 1.4404
	-	X	-	X - stainless steel 1.4301
	-	-	Z	Z - heat resistant steel 1.4828
Sheet thickness s	-	-	-	5 - thickness 0,5 mm
	-	-	-	6 - thickness 0,6 mm
	8	8	8	8 - thickness 0,8 mm
	-	-	-	1 - thickness 1,0 mm

PICTURE

MEASUREMENTS

22. DRAUGHT REGULATOR TO DARCO CLEAN OUT ELEMENT RCW

RCW



Lp	Name	Value	
1	Group	5	
2	Norm	DIN 4795	
3	Underpressure range [Pa]	10 ÷ 35	
4	Max. fumes temp [°C]	400	
5	Chimney parameters (chimney height not bigger than 20m)	Max. chimney duct cross-section [cm²]	Max. diameter of a round chimney duct [cm]
	I and II insulation class	500	25
	III insulation class	750	31

Weight [kg]

0.80

DENOTATIONS / PRODUCT CODES

RCW

draught regulator to DARCO clean out element

MATERIALS

Destination	-	W	-	W - ventilation ducts
	-	S	-	S - flue (oil and gas) ducts
	-	D	-	D - smoke ducts
Material	-	-	-	CH - stainless steel 1.4404
	-	X	-	X - stainless steel 1.4301
	-	-	-	Z - heat resistant steel 1.4828

NOTICE!

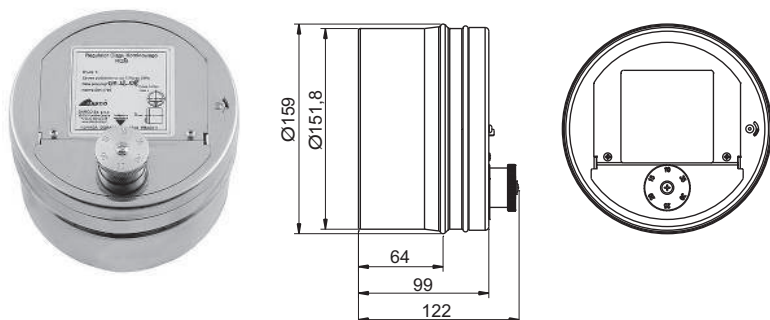
Mounting of the RCW regulator requires usage of the RM-DW door frame.

PICTURE

MEASUREMENTS

23. ROUND DRAUGHT REGULATOR RCO

RCO



Lp	Name	Value	
1	Group	5	
2	Norm	DIN 4795	
3	Underpressure range [Pa]	10 ÷ 35	
4	Max. fumes temp [°C]	400	
5	Chimney parameters (chimney height not bigger than 20m)	Max. chimney duct cross-section [cm ²]	Max. diameter of a round chimney duct [cm]
	I and II insulation class	500	25
	III insulation class	750	31

Weight [kg]

0.70

DENOTATIONS / PRODUCT CODES

RCO

round draught regulator

MATERIALS

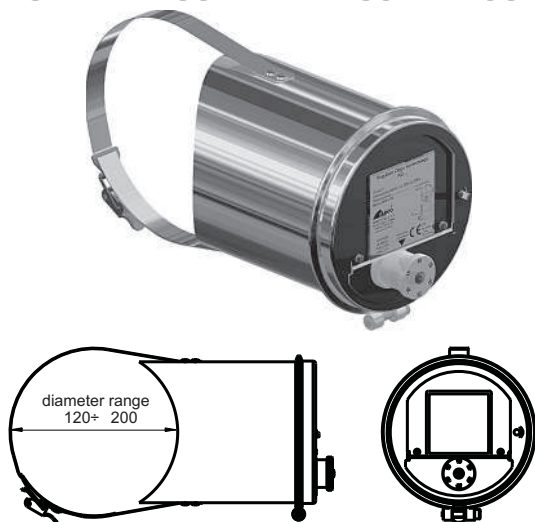
Destination	- W	- W - ventilation ducts
	- S	- S - flue (oil and gas) ducts
	- D	- D - smoke ducts
Material	- -	- CH - stainless steel 1.4404
	- X	- X - stainless steel 1.4301
	- -	- Z - heat resistant steel 1.4828

PICTURE

MEASUREMENTS

24. ON PIPE MOUNTED DRAUGHT REGULATOR RCR

RCR



Lp	Name	Value	
1	Group	5	
2	Norm	DIN 4795	
3	Underpressure range [Pa]	10 ÷ 35	
4	Max. fumes temp [°C]	400	
5	Chimney parameters (chimney height not bigger than 20m)	Max. chimney duct cross-section [cm ²]	Max. diameter of a round chimney duct [cm]
	I and II insulation class	500	25
	III insulation class	750	31

Weight [kg]

0.80

DENOTATIONS / PRODUCT CODES

RCR

on pipe mounted draught regulator

MATERIALS

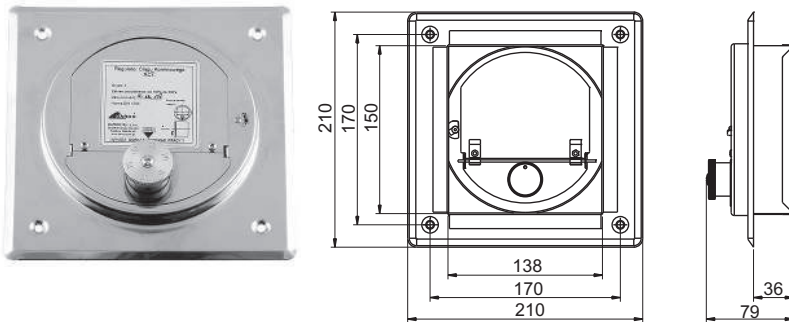
Destination	- W	- W - ventilation ducts
	- S	- S - flue (oil and gas) ducts
	- D	- D - smoke ducts
Material	- -	- CH - stainless steel 1.4404
	- X	- X - stainless steel 1.4301
	- -	- Z - heat resistant steel 1.4828

PICTURE

MEASUREMENTS

25. RECTANGULAR DRAUGHT REGULATOR RCP

RCP



Lp	Name	Value	
1	Group	5	
2	Norm	DIN 4795	
3	Underpressure range [Pa]	10 ÷ 35	
4	Max. fumes temp [°C]	400	
5	Chimney parameters (chimney height not bigger than 20m)	Max. chimney duct cross-section [cm ²]	Max. diameter of a round chimney duct [cm]
	I and II insulation class	500	25
	III insulation class	750	31

Weight [kg]

0.80

DENOTATIONS / PRODUCT CODES

RCP

rectangular draught regulator

MATERIALS

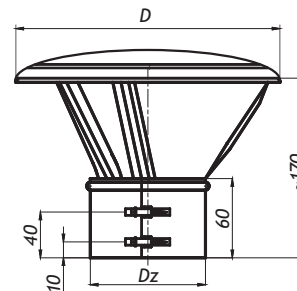
Destination	-	W	-	W - ventilation ducts
	-	S	-	S - flue (oil and gas) ducts
	-	D	-	D - smoke ducts
Material	-	-	-	CH - stainless steel 1.4404
	-	X	-	X - stainless steel 1.4301
	-	-	-	Ž - heat resistant steel 1.4828

PICTURE

MEASUREMENTS

26. CHIMNEY CAP DK

DK



Diameter DN	Ø80	Ø100	Ø110	Ø120	Ø130	Ø140	Ø150	Ø160	Ø180	Ø200	for s=0.6
Dz	80.2	100.9	112.1	123.2	132.8	140.7	151.9	161.4	182.1	201.2	
D	220	220	220	220	290	290	290	290	290	350	
Weight [kg]	0.30	0.33	0.34	0.35	0.36	0.37	0.51	0.52	0.54	0.56	

DENOTATIONS / PRODUCT CODES

DK m x - m s

sheet thickness
material
diameter DN
denotation for heat resistant steel sheet
chimney cap

MATERIALS

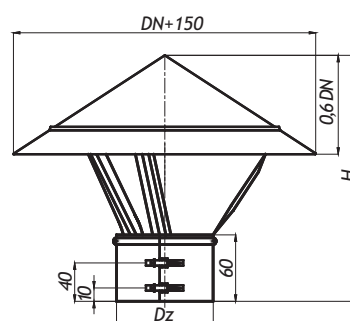
Destination	W	-	-	W - ventilation ducts
	S	-	-	S - flue (oil and gas) ducts
	-	-	-	D - smoke ducts
Material	CH	-	-	CH - stainless steel 1.4404
	-	-	-	X - stainless steel 1.4301
	-	-	-	Ž - heat resistant steel 1.4828
Sheet thickness s	5	-	-	5 - thickness 0,5 mm
	6	-	-	6 - thickness 0,6 mm
	-	-	-	8 - thickness 0,8 mm
	-	-	-	1 - thickness 1,0 mm

PICTURE

27. CHIMNEY CAP DK



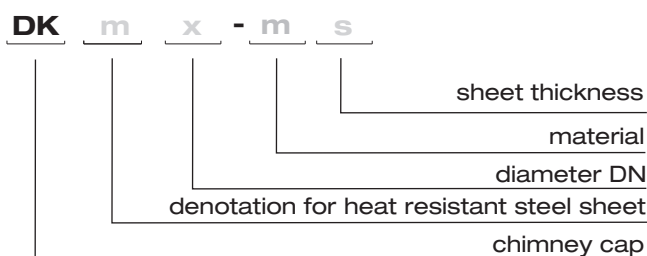
MEASUREMENTS



DK

Diameter DN	Ø225	Ø250	Ø300	Ø350	Ø400	Ø450	Ø500	for s=0.6
Dz	226.7	252.2	301.6	350.9	401.9	451.2	502.2	
H	260	260	260	360	360	460	460	
Weight [kg]	1.05	1.25	1.60	2.00	2.45	2.95	3.45	

DENOTATIONS / PRODUCT CODES



MATERIALS

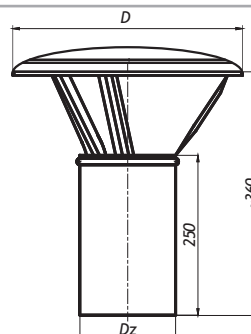
Destination	W	W	-	W - ventilation ducts
	S	-	-	S - flue (oil and gas) ducts
	-	-	D	D - smoke ducts
Material	CH	-	-	CH - stainless steel 1.4404
	-	X	-	X - stainless steel 1.4301
	-	-	Ż	Ż - heat resistant steel 1.4828
Sheet thickness s	-	-	-	5 - thickness 0,5 mm
	-	6	-	6 - thickness 0,6 mm
	8	8	8	8 - thickness 0,8 mm
	1	1	1	1 - thickness 1,0 mm

PICTURE

28. SINGLE WALLED FLEXIBLE PIPE CAP DK-ST



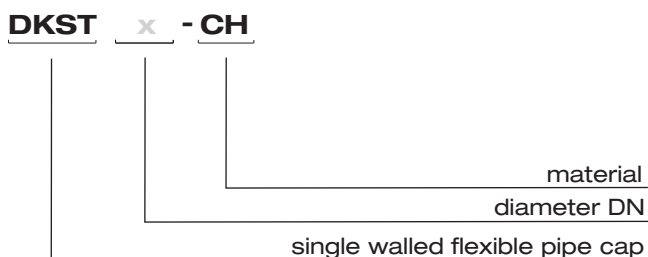
MEASUREMENTS



DK-ST

Diameter DN	Ø80	Ø100	Ø110	Ø120	Ø130	Ø140	Ø150	Ø160	Ø180	Ø200	for s=0.6
Dz	80.2	100.9	112.1	123.2	132.8	140.7	151.9	161.4	182.1	201.2	
D	220	220	220	220	290	290	290	290	290	350	
Weight [kg]	0.50	0.60	0.65	0.70	0.75	0.80	0.95	1.00	1.05	1.10	

DENOTATIONS / PRODUCT CODES



MATERIALS

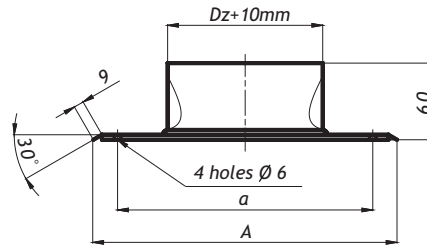
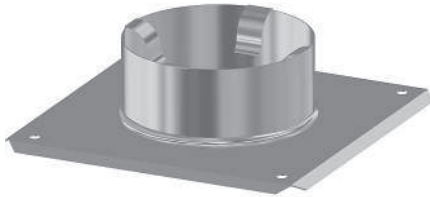
Destination	W	-	-	W - ventilation ducts
	S	-	-	S - flue (oil and gas) ducts
	-	-	-	D - smoke ducts
Material	CH	-	-	CH - stainless steel 1.4404
	-	-	-	X - stainless steel 1.4301
	-	-	-	Ż - heat resistant steel 1.4828
Sheet thickness s	5	-	-	5 - thickness 0,5 mm
	6	-	-	6 - thickness 0,6 mm
	-	-	-	8 - thickness 0,8 mm
	-	-	-	1 - thickness 1,0 mm

PICTURE

MEASUREMENTS

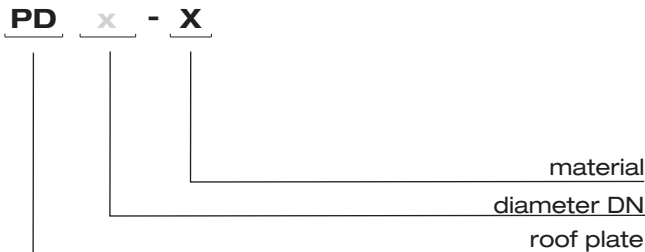
29. ROOF PLATE PD

PD



Diameter DN	Ø80	Ø100	Ø110	Ø120	Ø130	Ø140	Ø150	Ø160	Ø180	Ø200	Ø225	Ø250	Ø300	Ø350	Ø400	Ø450	Ø500	for s=0.6
Dz [mm]	80.2	100.9	112.1	123.2	132.8	140.7	151.9	161.4	182.1	201.2	226.7	252.2	301.6	350.9	401.9	451.2	502.2	
A [mm]	250	250	250	250	250	250	300	300	300	330	350	400	450	500	550	600	650	
a [mm]	210	210	210	210	210	210	260	260	260	290	310	360	410	460	510	560	610	
Weight [kg]	0.35	0.40	0.40	0.40	0.40	0.40	0.50	0.50	0.50	0.60	0.65	0.80	0.95	1.10	1.25	1.40	1.55	

DENOTATIONS / PRODUCT CODES



MATERIALS

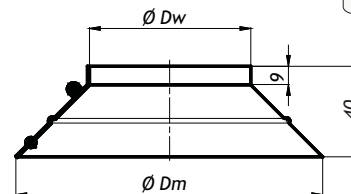
Destination	- W	- W - ventilation ducts
	- S	- S - flue (oil and gas) ducts
	- D	- D - smoke ducts
Material	- -	- CH - stainless steel 1.4404
	- X	- X - stainless steel 1.4301
	- -	- Z - heat resistant steel 1.4828
Sheet thickness s	- -	- 5 - thickness 0,5 mm
	- 6	- 6 - thickness 0,6 mm
	- -	- 8 - thickness 0,8 mm
	- -	- 1 - thickness 1,0 mm

PICTURE

MEASUREMENTS

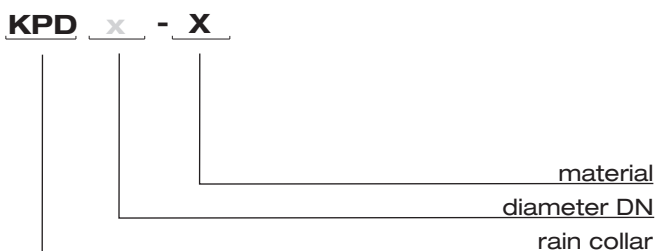
30. RAIN COLLAR KPD

KPD



Diameter DN	Ø80	Ø100	Ø110	Ø120	Ø130	Ø140	Ø150	Ø160	Ø180	Ø200	Ø225	Ø250	Ø300	Ø350	Ø400	Ø450	Ø500	for s=0.6
Dw [mm]	79.0	99.7	110.9	122.0	131.6	139.5	150.7	160.2	180.9	200.0	225.5	251.0	300.4	349.7	400.7	450.0	501.0	
Dm [mm]	151	172	183	194	204	212	223	232	253	272	326	350	400	450	501	550	601	
Weight [kg]	0.14	0.16	0.17	0.18	0.18	0.19	0.20	0.21	0.23	0.25	0.29	0.31	0.36	0.41	0.45	0.50	0.54	

DENOTATIONS / PRODUCT CODES



MATERIALS

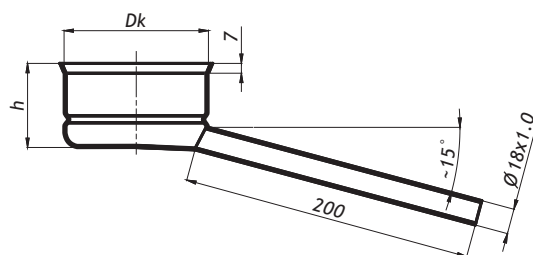
Destination	- W	- W - ventilation ducts
	- S	- S - flue (oil and gas) ducts
	- D	- D - smoke ducts
Material	- -	- CH - stainless steel 1.4404
	- X	- X - stainless steel 1.4301
	- -	- Z - heat resistant steel 1.4828
Sheet thickness s	- -	- 5 - thickness 0,5 mm
	- 6	- 6 - thickness 0,6 mm
	- -	- 8 - thickness 0,8 mm
	- -	- 1 - thickness 1,0 mm

PICTURE

MEASUREMENTS

31. CONDENSATE DRAIN BOWL MS

MS



Diameter DN	Ø80	Ø100	Ø110	Ø120	Ø130	Ø140	Ø150	Ø160	Ø180	Ø200	Ø225	Ø250	Ø300	Ø350	Ø400	Ø450	Ø500
Dk [mm]	81	102	113	123	134	142	150	166	181	200	228	253	303	355	404	453	504
h [mm]	60	60	60	57	55	60	52	45	41	43	60	60	60	60	60	60	60
Weight [kg]	0.20	0.25	0.25	0.30	0.30	0.30	0.35	0.40	0.50	0.60	0.60	0.70	0.85	1.05	1.35	1.60	1.85

for s=0.6

DENOTATIONS / PRODUCT CODES

MATERIALS

MS x **- CH**



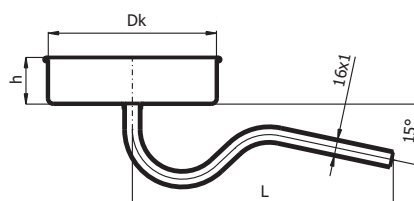
Destination	W	-	-	W - ventilation ducts
	S	-	-	S - flue (oil and gas) ducts
	D	-	-	D - smoke ducts
Material	CH	-	-	CH - stainless steel 1.4404
	-	-	-	X - stainless steel 1.4301
	-	-	-	Z - heat resistant steel 1.4828

PICTURE

MEASUREMENTS

32. CONDENSATE DRAIN BOWL WITH SIPHON MSF

MSF



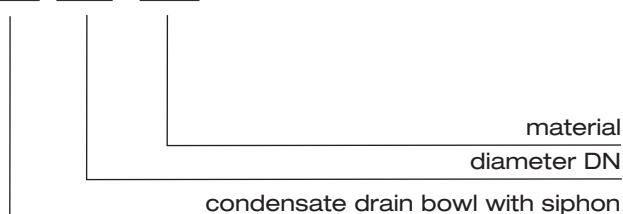
Diameter DN	Ø80	Ø100	Ø110	Ø120	Ø130	Ø140	Ø150	Ø160	Ø180	Ø200	Ø225	Ø250	Ø300	Ø350	Ø400	Ø450	Ø500
Dk [mm]	81	102	113	123	134	142	152	166	183	202	228	253	303	355	404	453	504
A [mm]	230	230	230	230	230	230	260	260	260	upon order							
h [mm]	60	60	60	57	55	60	52	45	41	43	60	60	60	60	60	60	60
Weight [kg]	0.20	0.25	0.25	0.30	0.30	0.30	0.35	0.40	0.50	0.60	0.60	0.70	0.85	1.05	1.35	1.60	1.85

for s=0.6

DENOTATIONS / PRODUCT CODES

MATERIALS

MSF x **- CH**



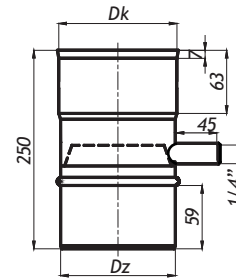
Destination	W	-	-	W - ventilation ducts
	S	-	-	S - flue (oil and gas) ducts
	D	-	-	D - smoke ducts
Material	CH	-	-	CH - stainless steel 1.4404
	-	-	-	X - stainless steel 1.4301
	-	-	-	Z - heat resistant steel 1.4828

PICTURE

33. VERTICAL DRAIN BOWL MSP



MEASUREMENTS

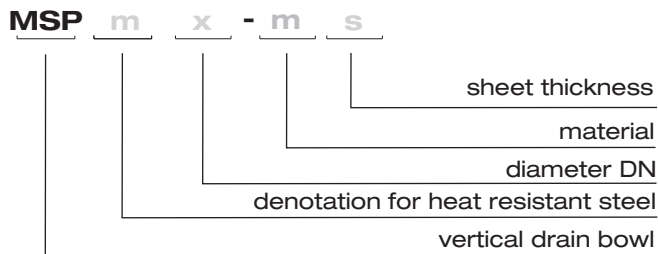


MSP

Diameter DN	Ø80	Ø100	Ø110	Ø120	Ø130	Ø140	Ø150	Ø160	Ø180	Ø200	Ø225	Ø250	Ø300	Ø350	Ø400	Ø450	Ø500
Dz	80.1	100.8	112.0	123.1	132.7	140.7	151.9	161.4	182.1	201.2	226.7	252.2	301.6	350.9	401.9	451.2	502.2
Dk	81.1	101.8	113.0	124.1	133.7	141.7	152.9	162.4	183.1	202.2	227.7	253.2	303.1	352.4	403.4	452.7	503.7
Weight [kg]	0.35	0.45	0.50	0.50	0.55	0.65	0.70	0.75	0.85	0.90	1.00	1.10	1.30	1.50	1.75	1.95	2.15

for s=0.6

DENOTATIONS / PRODUCT CODES



MATERIALS

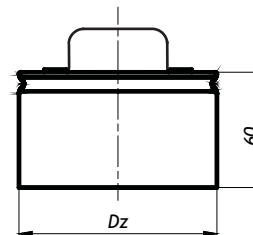
Destination	W	W	-	W - ventilation ducts
	S	-	-	S - flue (oil and gas) ducts
	-	-	D	D - smoke ducts
Material	CH	-	-	CH - stainless steel 1.4404
	-	X	-	X - stainless steel 1.4301
	-	-	Ž	Ž - heat resistant steel 1.4828
Thickness of sheet s	5	-	-	5 - thickness 0,5 mm
	6	6	-	6 - thickness 0,6 mm
	8	8	8	8 - thickness 0,8 mm
	1	1	1	1 - thickness 1,0 mm

PICTURE

34. TEE PLUG ZT



MEASUREMENTS

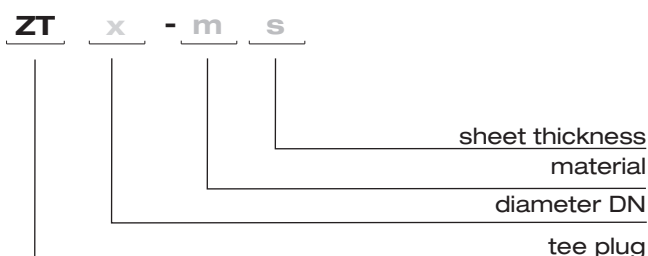


ZT

Diameter DN	Ø80	Ø100	Ø110	Ø120	Ø130	Ø140	Ø150	Ø160	Ø180	Ø200	Ø225	Ø250	Ø300	Ø350	Ø400	Ø450	Ø500
Dz [mm]	80.2	100.9	112.1	123.2	132.8	140.7	151.9	161.4	182.1	201.2	226.7	252.2	301.6	350.9	401.9	451.2	502.2
Weight [kg]	0.12	0.15	0.17	0.19	0.20	0.22	0.24	0.26	0.30	0.35	0.42	0.48	0.63	0.80	1.00	1.20	1.40

for s=0.6

DENOTATIONS / PRODUCT CODES



MATERIALS

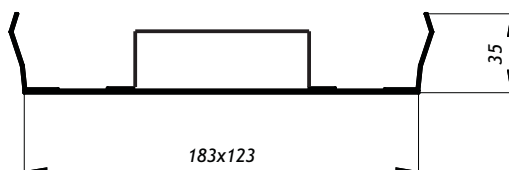
Destination	W	W	-	W - ventilation ducts
	S	-	-	S - flue (oil and gas) ducts
	-	-	D	D - smoke ducts
Material	CH	-	-	CH - stainless steel 1.4404
	-	X	-	X - stainless steel 1.4301
	-	-	Ž	Ž - heat resistant steel 1.4828
Sheet thickness s	5	-	-	5 - thickness 0,5 mm
	6	6	-	6 - thickness 0,6 mm
	8	8	8	8 - thickness 0,8 mm
	1	1	1	1 - thickness 1,0 mm

PICTURE

MEASUREMENTS

35. CLEAN OUT ELEMENT PLUG ZWC

ZWC

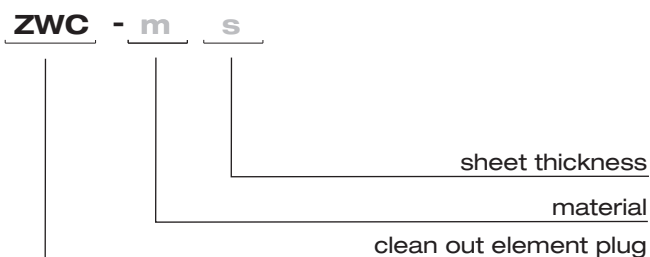


Weight [kg]

0.14

for s=0.6

DENOTATIONS / PRODUCT CODES



MATERIALS

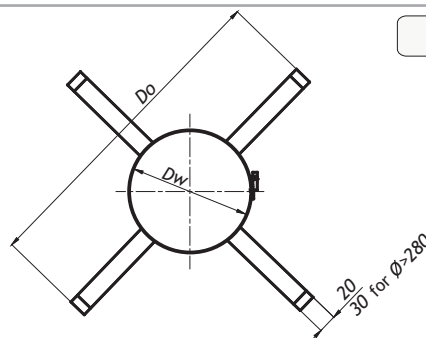
Destination	W	W	-	W - ventilation ducts
	S	-	-	S - flue (oil and gas) ducts
	-	-	D	D - smoke ducts
Material	CH	-	-	CH - stainless steel 1.4404
	-	X	-	X - stainless steel 1.4301
	-	-	Ż	Ż - heat resistant steel 1.4828
Sheet thickness s	5	-	-	5 - thickness 0,5 mm
	6	6	-	6 - thickness 0,6 mm
	8	8	8	8 - thickness 0,8 mm
	1	1	1	1 - thickness 1,0 mm

PICTURE

MEASUREMENTS

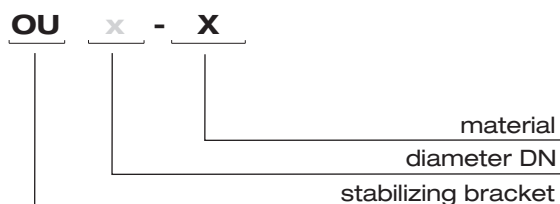
36. STABILIZING BRACKET OU

OU



Diameter DN	Ø80	Ø100	Ø110	Ø120	Ø130	Ø140	Ø150	Ø160	Ø180	Ø200	Ø225	Ø250	Ø300	Ø350	Ø400	Ø450	Ø500	for s=0.6
Do [mm]	480	500	512	523	532	540	552	561	582	602	626	652	702	752	802	852	902	
Dw [mm]	80.2	100.9	112.1	123.2	132.8	140.7	151.9	161.4	182.1	201.2	226.7	252.2	301.6	350.9	401.9	451.2	502.2	
Weight [kg]	0.10	0.10	0.10	0.10	0.10	0.10	0.10	0.10	0.15	0.15	0.15	0.15	0.20	0.20	0.20	0.20	0.25	

DENOTATIONS / PRODUCT CODES

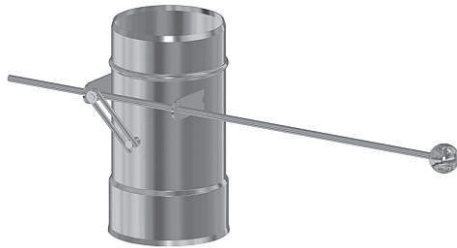


MATERIALS

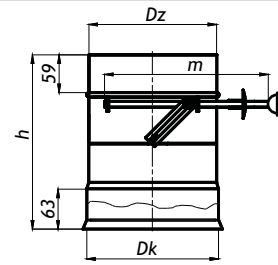
Destination	W	-	W - ventilation ducts
	-	S	S - flue (oil and gas) ducts
	-	D	D - smoke ducts
Material	-	-	CH - stainless steel 1.4404
	-	X	X - stainless steel 1.4301
	-	-	Ż - heat resistant steel 1.4828

PICTURE

37. CHIMNEY DAMPER SZK



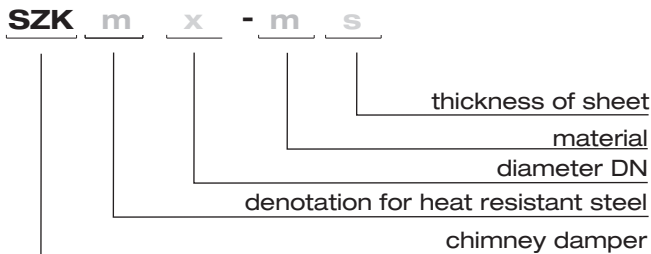
MEASUREMENTS



SZK

Diameter DN	Ø120	Ø130	Ø140	Ø150	Ø160	Ø180	Ø200	Ø225	Ø250	Ø300	for s=1.0
Dz	123.2	132.8	140.7	151.9	161.4	182.1	201.2	226.7	252.2	301.6	
Dk	124.2	133.8	141.7	152.9	162.4	183.1	202.2	227.7	253.2	302.6	
h[mm]	220	230	240	250	260	280	300	325	350	400	
m[mm]	660	660	660	800	800	800	800	800	800	800	
Weight [kg]	1.45	1.55	1.65	1.80	1.90	2.15	2.45	2.85	3.30	4.30	

DENOTATIONS / PRODUCT CODES



MATERIALS

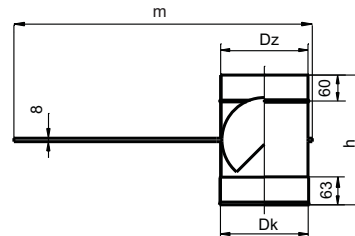
Destination	W	-	-	W - ventilation ducts
	S	-	-	S - flue (oil and gas) ducts
	-	-	D	D - smoke ducts
Material	CH	-	-	CH - stainless steel 1.4404
	-	-	-	X - stainless steel 1.4301
	-	-	Ž	Ž - heat resistant steel 1.4828
Thickness of sheet s	-	-	-	5 - thickness 0,5 mm
	-	-	-	6 - thickness 0,6 mm
	8	-	8	8 - thickness 0,8 mm
	1	-	1	1 - thickness 1,0 mm

PICTURE

38. SIMPLIFIED CHIMNEY DAMPER SZKŽ



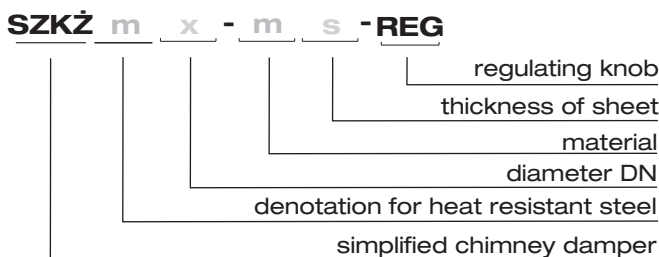
MEASUREMENTS



SZKŽ

Diameter DN	Ø120	Ø130	Ø140	Ø150	Ø160	Ø180	Ø200	Ø225	Ø250	Ø300	for s=1.0
Dz	123.2	132.8	140.7	151.9	161.4	182.1	201.2	226.7	252.2	301.6	
Dk	124.2	133.8	141.7	152.9	162.4	183.1	202.2	227.7	253.2	302.6	
h[mm]	220	230	240	250	260	280	300	325	350	400	
m[mm]	690	690	690	690	690	690	690	690	690	690	
Weight [kg]	1.25	1.35	1.45	1.60	1.70	1.95	2.25	2.65	3.10	4.10	

DENOTATIONS / PRODUCT CODES



MATERIALS

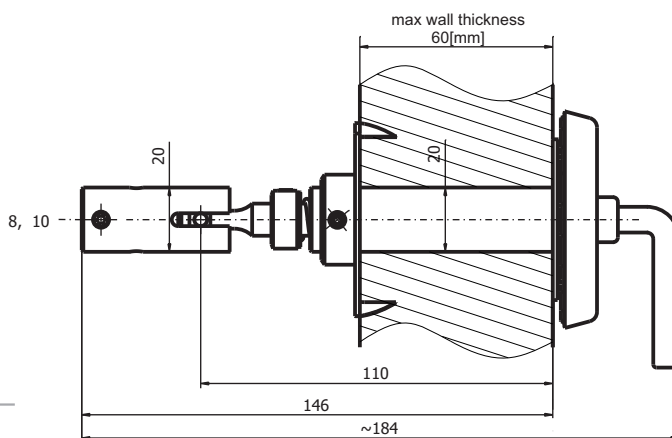
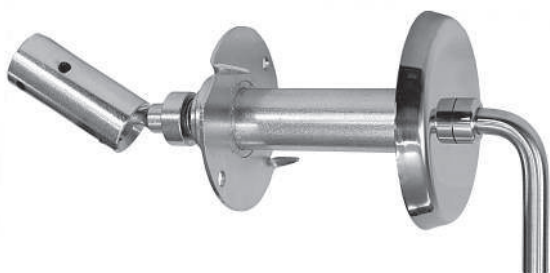
Destination	W	-	-	W - ventilation ducts
	S	-	-	S - flue (oil and gas) ducts
	-	-	D	D - smoke ducts
Material	CH	-	-	CH - stainless steel 1.4404
	-	-	-	X - stainless steel 1.4301
	-	-	Ž	Ž - heat resistant steel 1.4828
Thickness of sheet s	-	-	-	5 - thickness 0,5 mm
	-	-	-	6 - thickness 0,6 mm
	8	-	8	8 - thickness 0,8 mm
	1	-	1	1 - thickness 1,0 mm

PICTURE

MEASUREMENTS

39. CHIMNEY DAMPER KNOB SZK-REG

SZK-REG



ADVANTAGES

- allows to set the damper in 8 different positions
- safe - always cool handle
- can be used with angular claddings
- can be used with heat resistant or mild steel 2 mm chimney dampers

DENOTATIONS / PRODUCT CODES

SZK - REG



MATERIALS

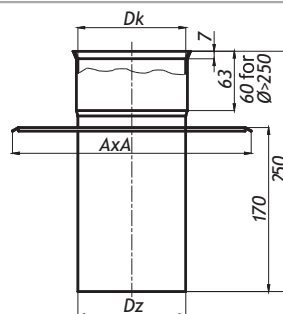
Destination	-	-	-	W - ventilation ducts
	S	-	-	S - flue (oil and gas) ducts
	-	-	D	D - smoke ducts
Material	CH	-	CH	CH - stainless steel 1.4301

PICTURE

MEASUREMENTS

40. INTERMEDIATE SUPPORT PP

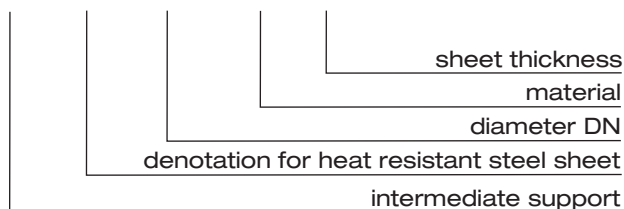
PP



Diameter DN	Ø80	Ø100	Ø110	Ø120	Ø130	Ø140	Ø150	Ø160	Ø180	Ø200	Ø225	Ø250	Ø300	Ø350	Ø400	Ø450	Ø500	for s=0.6
Dz [mm]	80.2	100.9	112.1	123.2	132.8	140.7	151.9	161.4	182.1	201.2	226.7	252.2	301.6	350.9	401.9	451.2	502.2	
Dk [mm]	81.2	101.9	113.1	124.2	133.8	141.7	152.9	162.4	183.1	202.2	227.7	253.2	302.6	351.9	402.9	452.2	503.2	
A [mm]	250	250	250	250	250	250	300	300	300	330	350	400	450	550	550	600	650	
Weight [kg]	0.75	0.80	0.85	0.87	0.90	0.95	1.10	1.15	1.20	1.35	1.50	1.85	2.20	2.55	2.90	3.30	3.70	

DENOTATIONS / PRODUCT CODES

PP m x - m s



MATERIALS

Destination	W	W	-	W - ventilation ducts
	S	-	-	S - flue (oil and gas) ducts
	-	-	D	D - smoke ducts
Material	CH	-	-	CH - stainless steel 1.4404
	-	X	-	X - stainless steel 1.4301
	-	-	Ž	Ž - heat resistant steel 1.4828
Sheet thickness s	5	-	-	5 - thickness 0,5 mm
	6	6	-	6 - thickness 0,6 mm
	8	8	8	8 - thickness 0,8 mm
	1	1	1	1 - thickness 1,0 mm

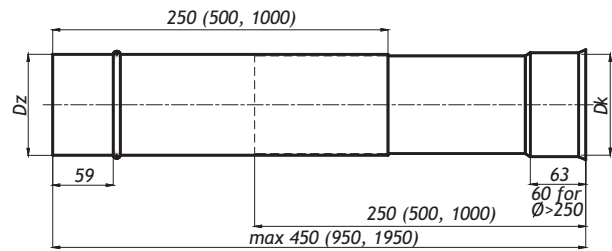
PICTURE

41. TELESCOPIC PIPE RT



MEASUREMENTS

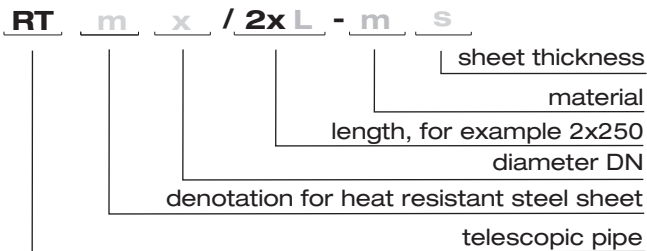
RT



Diameter DN	Ø80	Ø100	Ø110	Ø120	Ø130	Ø140	Ø150	Ø160	Ø180	Ø200	Ø225	Ø250	Ø300	Ø350	Ø400	Ø450	Ø500
Dz	80.2	100.9	112.1	123.2	132.8	140.7	151.9	161.4	182.1	201.2	226.7	252.2	301.6	350.9	401.9	451.2	502.2
Dk	81.2	101.9	113.1	124.2	133.8	141.7	152.9	162.4	183.1	202.2	227.7	253.2	302.6	351.9	402.9	452.2	503.2
Weight [kg]	0.60	0.76	0.84	0.93	1.00	1.06	1.14	1.21	1.37	1.51	1.70	1.90	2.27	2.64	3.03	3.40	3.78

for s=0.6
L=2x250

DENOTATIONS / PRODUCT CODES



MATERIALS

Destination	W	W	-	W - ventilation ducts
	S	-	-	S - flue (oil and gas) ducts
	-	-	D	D - smoke ducts
Material	CH	-	-	CH - stainless steel 1.4404
	-	X	-	X - stainless steel 1.4301
	-	-	Ž	Ž - heat resistant steel 1.4828
Sheet thickness s	5	-	-	5 - thickness 0,5 mm
	6	6	-	6 - thickness 0,6 mm
	8	8	8	8 - thickness 0,8 mm
	1	1	1	1 - thickness 1,0 mm

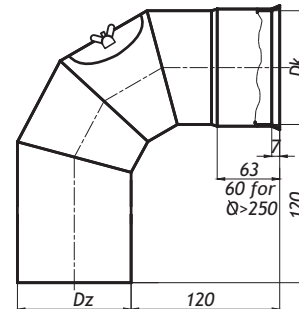
PICTURE

42. SOLID ELBOW 90° WITH REVISION Ksr / 90



MEASUREMENTS

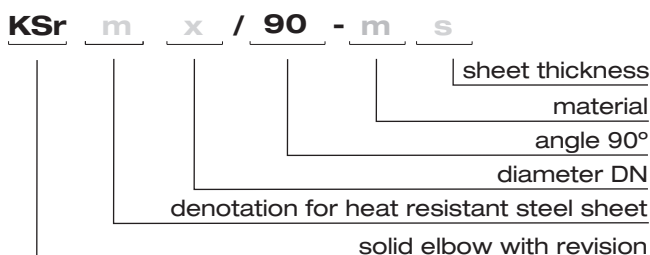
Ksr/90



Diameter DN	Ø80	Ø100	Ø110	Ø120	Ø130	Ø140	Ø150	Ø160	Ø180	Ø200	Ø225	Ø250	Ø300	Ø350	Ø400	Ø450	Ø500
Dz [mm]	80.2	100.9	112.1	123.2	132.8	140.7	151.9	161.4	182.1	201.2	226.7	252.2	301.6	350.9	401.9	451.2	502.2
Dk [mm]	81.2	101.9	113.1	124.2	133.8	141.7	152.9	162.4	183.1	202.2	227.7	253.2	302.6	351.9	402.9	452.2	503.2
Weight [kg]	0.32	0.48	0.54	0.62	0.66	0.74	0.80	0.97	1.10	1.21	1.36	1.82	2.27	2.64	3.75	4.55	5.44

for s=0.6

DENOTATIONS / PRODUCT CODES



MATERIALS

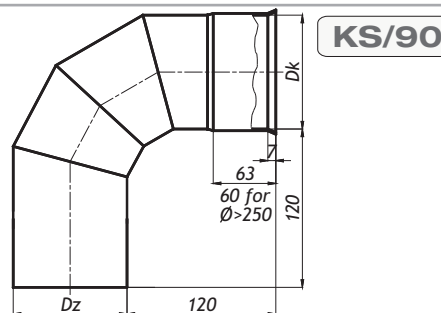
Destination	W	W	-	W - ventilation ducts
	S	-	-	S - flue (oil and gas) ducts
	-	-	D	D - smoke ducts
Material	CH	-	-	CH - stainless steel 1.4404
	-	X	-	X - stainless steel 1.4301
	-	-	Ž	Ž - heat resistant steel 1.4828
Sheet thickness s	5	-	-	5 - thickness 0,5 mm
	6	6	-	6 - thickness 0,6 mm
	8	8	8	8 - thickness 0,8 mm
	1	1	1	1 - thickness 1,0 mm

PICTURE

43. SOLID ELBOW 90° KS/90



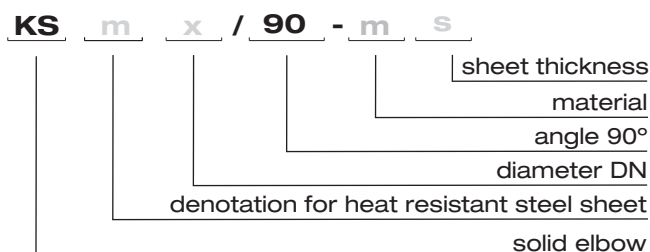
MEASUREMENTS



Diameter DN	Ø80	Ø100	Ø110	Ø120	Ø130	Ø140	Ø150	Ø160	Ø180	Ø200	Ø225	Ø250	Ø300	Ø350	Ø400	Ø450	Ø500
Dz [mm]	80.2	100.9	112.1	123.2	132.8	140.7	151.9	161.4	182.1	201.2	226.7	252.2	301.6	350.9	401.9	451.2	502.2
Dk [mm]	81.2	101.9	113.1	124.2	133.8	141.7	152.9	162.4	183.1	202.2	227.7	253.2	302.6	351.9	402.9	452.2	503.2
Weight [kg]	0.32	0.48	0.54	0.62	0.66	0.74	0.80	0.97	1.10	1.21	1.36	1.82	2.27	2.64	3.75	4.55	5.44

for s=0.6

DENOTATIONS / PRODUCT CODES



MATERIALS

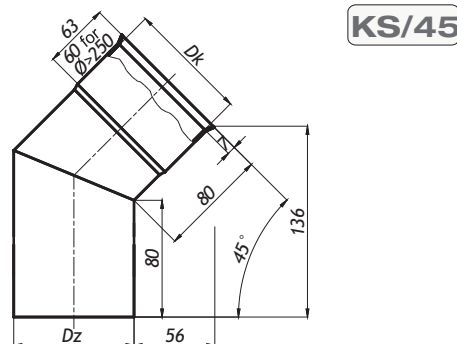
Destination	W	W	-	W - ventilation ducts
	S	-	-	S - flue (oil and gas) ducts
	-	-	D	D - smoke ducts
Material	CH	-	-	CH - stainless steel 1.4404
	-	X	-	X - stainless steel 1.4301
	-	-	Ż	Ż - heat resistant steel 1.4828
Sheet thickness s	5	-	-	5 - thickness 0,5 mm
	6	6	-	6 - thickness 0,6 mm
	8	8	8	8 - thickness 0,8 mm
	1	1	1	1 - thickness 1,0 mm

PICTURE

44. SOLID ELBOW 45° KS/45



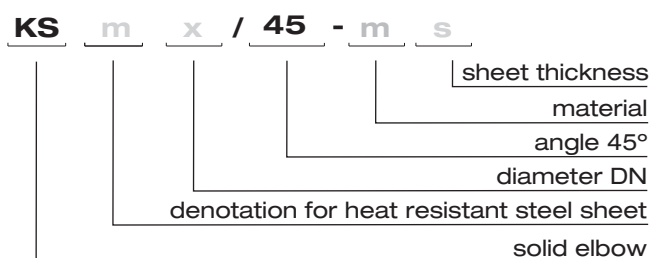
MEASUREMENTS



Diameter DN	Ø80	Ø100	Ø110	Ø120	Ø130	Ø140	Ø150	Ø160	Ø180	Ø200	Ø225	Ø250	Ø300	Ø350	Ø400	Ø450	Ø500
Dz [mm]	80.2	100.9	112.1	123.2	132.8	140.7	151.9	161.4	182.1	201.2	226.7	252.2	301.6	350.9	401.9	451.2	502.2
Dk [mm]	81.2	101.9	113.1	124.2	133.8	141.7	152.9	162.4	183.1	202.2	227.7	253.2	302.6	351.9	402.9	452.2	503.2
Weight [kg]	0.25	0.35	0.40	0.45	0.50	0.50	0.55	0.60	0.70	0.80	0.95	1.10	1.40	1.70	2.10	2.50	2.95

for s=0.6

DENOTATIONS / PRODUCT CODES



MATERIALS

Destination	W	W	-	W - ventilation ducts
	S	-	-	S - flue (oil and gas) ducts
	-	-	D	D - smoke ducts
Material	CH	-	-	CH - stainless steel 1.4404
	-	X	-	X - stainless steel 1.4301
	-	-	Ż	Ż - heat resistant steel 1.4828
Sheet thickness s	5	-	-	5 - thickness 0,5 mm
	6	6	-	6 - thickness 0,6 mm
	8	8	8	8 - thickness 0,8 mm
	1	1	1	1 - thickness 1,0 mm

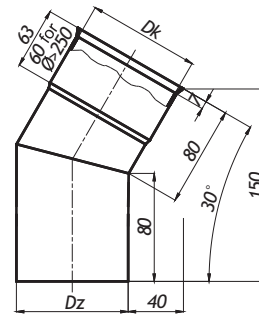
PICTURE

45. SOLID ELBOW 30° KS/30



MEASUREMENTS

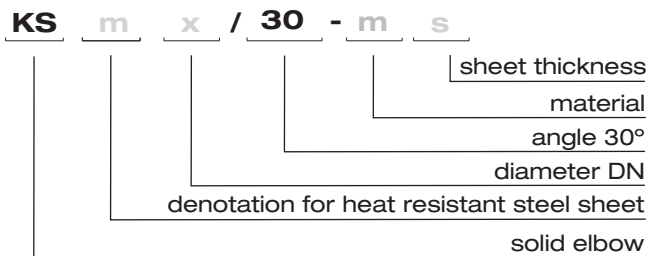
KS/30



Diameter DN	Ø80	Ø100	Ø110	Ø120	Ø130	Ø140	Ø150	Ø160	Ø180	Ø200	Ø225	Ø250	Ø300	Ø350	Ø400	Ø450	Ø500
Dz [mm]	80.2	100.9	112.1	123.2	132.8	140.7	151.9	161.4	182.1	201.2	226.7	252.2	301.6	350.9	401.9	451.2	502.2
Dk [mm]	81.2	101.9	113.1	124.2	133.8	141.7	152.9	162.4	183.1	202.2	227.7	253.2	302.6	351.9	402.9	452.2	503.2
Weight [kg]	0.25	0.30	0.35	0.40	0.45	0.45	0.50	0.55	0.65	0.70	0.80	0.95	1.20	1.45	1.75	2.05	2.40

for s=0.6

DENOTATIONS / PRODUCT CODES



MATERIALS

Destination	W	W	-	W - ventilation ducts
	S	-	-	S - flue (oil and gas) ducts
	-	-	D	D - smoke ducts
Material	CH	-	-	CH - stainless steel 1.4404
	-	X	-	X - stainless steel 1.4301
	-	-	Z	Z - heat resistant steel 1.4828
Sheet thickness s	5	-	-	5 - thickness 0,5 mm
	6	6	-	6 - thickness 0,6 mm
	8	8	8	8 - thickness 0,8 mm
	1	1	1	1 - thickness 1,0 mm

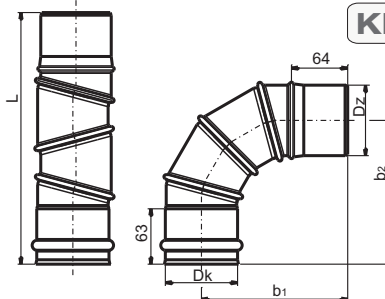
PICTURE

46. AIR TIGHT ADJUSTABLE ELBOW 90° KNU/90



MEASUREMENTS

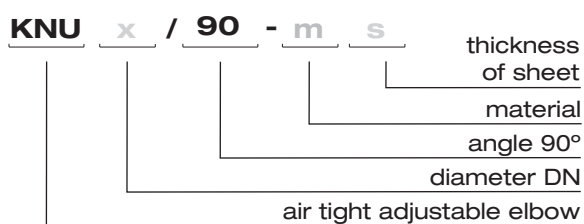
KNU/90



Diameter DN	Ø80	Ø100	Ø110	Ø120	Ø130	Ø150
Dz [mm]	80.2	100.9	112	123.1	132.7	150.8
Dk [mm]	81	101.9	113	124.1	133.7	152.8
b ₁ [mm]	166	182	187	204	201	223
b ₂ [mm]	164	180	184	202	200	221
L [mm]	286	312	318	348	345	383
Weight [kg]	0.27	0.37	0.42	0.49	0.53	0.79

for s=0.5

DENOTATIONS / PRODUCT CODES



MATERIALS

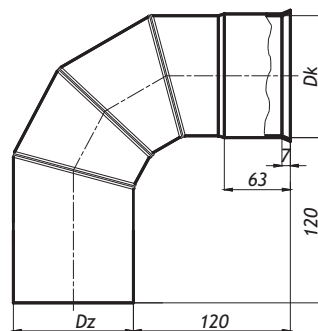
Destination	W	W	-	W - ventilation ducts
	S	-	-	S - flue (oil and gas) ducts
	-	-	D	D - smoke ducts
Material	CH	-	-	CH - stainless steel 1.4404
	-	X	-	X - stainless steel 1.4301
	-	-	Z	Z - heat resistant steel 1.4828
Thickness of sheet s	5	5	-	5 - thickness 0,5 mm
	6	6	-	6 - thickness 0,6 mm
	-	-	-	8 - thickness 0,8 mm
	-	-	-	1 - thickness 1,0 mm

PICTURE

47. ADJUSTABLE ELBOW 90° KN/90



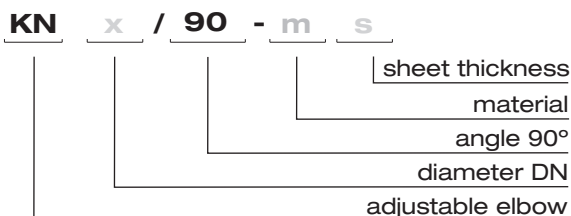
MEASUREMENTS



KN/90

Diameter DN	Ø80	Ø100	Ø110	Ø120	Ø130	Ø140	Ø150	Ø160	Ø180	Ø200	for s=0.6
Dz [mm]	80.2	100.9	112.1	123.2	132.8	140.7	151.9	161.4	182.1	201.2	
Dk [mm]	81.2	101.9	113.1	124.2	133.8	141.7	152.9	162.4	183.1	202.2	
Weight [kg]	0.32	0.48	0.54	0.62	0.66	0.74	0.80	0.97	1.10	1.21	

DENOTATIONS / PRODUCT CODES



MATERIALS

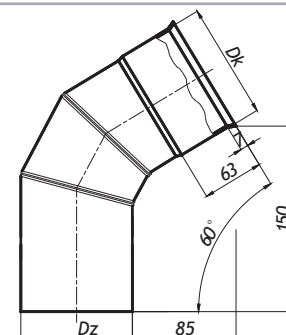
Destination	W	W	-	W - ventilation ducts
	S	-	-	S - flue (oil and gas) ducts
	-	-	-	D - smoke ducts
Material	CH	-	-	CH - stainless steel 1.4404
	-	X	-	X - stainless steel 1.4301
	-	-	-	Z - heat resistant steel 1.4828
Sheet thickness s	5	-	-	5 - thickness 0,5 mm
	6	6	-	6 - thickness 0,6 mm
	8	8	-	8 - thickness 0,8 mm
	-	-	-	1 - thickness 1,0 mm

PICTURE

48. ADJUSTABLE ELBOW 60° KN/60



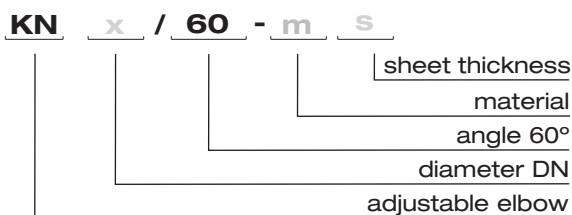
MEASUREMENTS



KN/60

Diameter DN	Ø80	Ø100	Ø110	Ø120	Ø130	Ø140	Ø150	Ø160	Ø180	Ø200	for s=0.6
Dz [mm]	80.2	100.9	112.1	123.2	132.8	140.7	151.9	161.4	182.1	201.2	
Dk [mm]	81.2	101.9	113.1	124.2	133.8	141.7	152.9	162.4	183.1	202.2	
Weight [kg]	0.23	0.37	0.43	0.48	0.52	0.55	0.62	0.75	0.86	0.95	

DENOTATIONS / PRODUCT CODES



MATERIALS

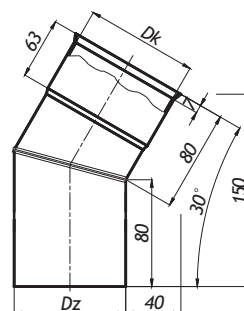
Destination	W	W	-	W - ventilation ducts
	S	-	-	S - flue (oil and gas) ducts
	-	-	-	D - smoke ducts
Material	CH	-	-	CH - stainless steel 1.4404
	-	X	-	X - stainless steel 1.4301
	-	-	-	Z - heat resistant steel 1.4828
Sheet thickness s	5	-	-	5 - thickness 0,5 mm
	6	6	-	6 - thickness 0,6 mm
	8	8	-	8 - thickness 0,8 mm
	-	-	-	1 - thickness 1,0 mm

PICTURE

MEASUREMENTS

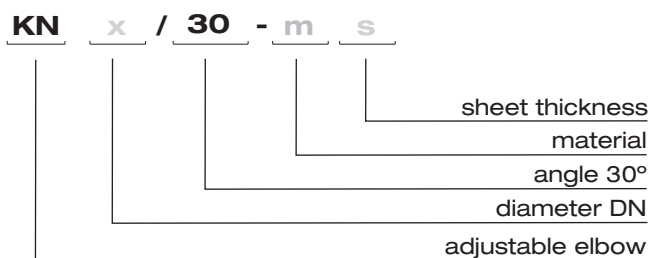
49. ADJUSTABLE ELBOW 30° KN/30

KN/30



Diameter DN	Ø80	Ø100	Ø110	Ø120	Ø130	Ø140	Ø150	Ø160	Ø180	Ø200	for s=0.6
Dz [mm]	80.2	100.9	112.1	123.2	132.8	140.7	151.9	161.4	182.1	201.2	
Dk [mm]	81.2	101.9	113.1	124.2	133.8	141.7	152.9	162.4	183.1	202.2	
Weight [kg]	0.24	0.32	0.355	0.40	0.43	0.46	0.50	0.55	0.63	0.71	

DENOTATIONS / PRODUCT CODES



MATERIALS

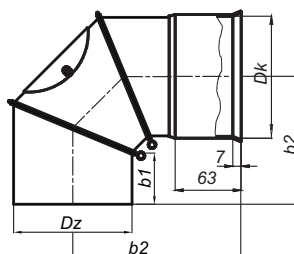
Destination	W	W	-	W - ventilation ducts
	S	-	-	S - flue (oil and gas) ducts
Material	-	-	-	D - smoke ducts
	CH	-	-	CH - stainless steel 1.4404
	-	X	-	X - stainless steel 1.4301
Sheet thickness s	-	-	-	Ž - heat resistant steel 1.4828
	5	-	-	5 - thickness 0,5 mm
	6	6	-	6 - thickness 0,6 mm
	8	8	-	8 - thickness 0,8 mm
-	-	-	1 - thickness 1,0 mm	

PICTURE

MEASUREMENTS

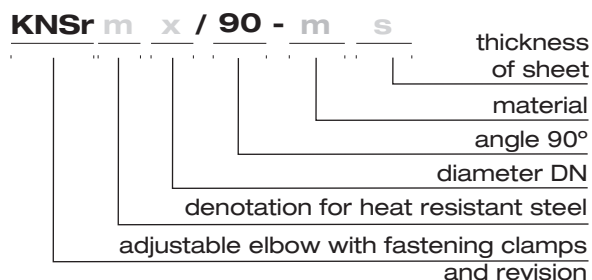
50. ADJUSTABLE ELBOW WITH FASTENING CLAMPS AND REVISION 90° KNSr/90

KNSr/90



Diameter DN	Ø120	Ø130	Ø140	Ø150	Ø160	Ø180	Ø200	for s=0.6
Dz [mm]	123.2	132.8	140.7	151.9	161.4	182.1	201.2	
Dk [mm]	124.2	133.8	141.7	152.9	162.4	183.1	202.2	
b1 [mm]	70	70	70	70	70	70	70	
b2 [mm]	205	205	210	210	205	205	220	
Weight [kg]	0.62	0.66	0.74	0.80	0.97	1.10	1.21	

DENOTATIONS / PRODUCT CODES



MATERIALS

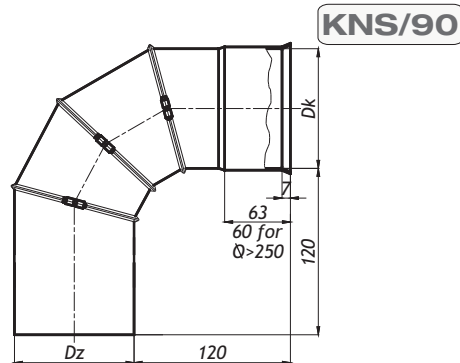
Destination	W	W	-	W - ventilation ducts
	S	-	-	S - flue (oil and gas) ducts
Material	-	-	-	D - smoke ducts
	CH	-	-	CH - stainless steel 1.4404
	-	X	-	X - stainless steel 1.4301
Thickness of sheet s	-	-	-	Ž - heat resistant steel 1.4828
	5	-	-	5 - thickness 0,5 mm
	6	6	-	6 - thickness 0,6 mm
	8	8	8	8 - thickness 0,8 mm
1	1	1	1 - thickness 1,0 mm	

PICTURE

51. ADJUSTABLE 4 SEGMENT ELBOW WITH FASTENING CLAMPS 90° KNS/90

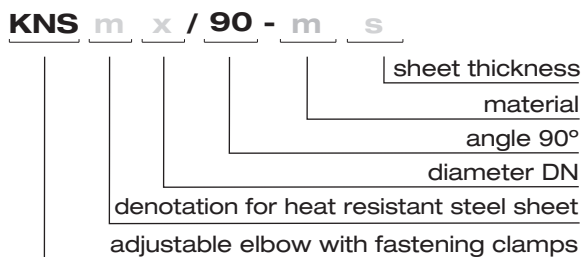


MEASUREMENTS



Diameter DN	Ø120	Ø130	Ø140	Ø150	Ø160	Ø180	Ø200	Ø225	Ø250	Ø300	Ø350	Ø400	Ø450	Ø500	for s=0.6
Dz [mm]	123.2	132.8	140.7	151.9	161.4	182.1	201.2	226.7	252.2	301.6	350.9	401.9	451.2	502.2	
Dk [mm]	124.2	133.8	141.7	152.9	162.4	183.1	202.2	227.7	253.2	302.6	351.9	402.9	452.2	503.2	
Weight [kg]	0.62	0.66	0.74	0.80	0.97	1.10	1.21	1.36	1.82	2.27	2.64	3.75	4.55	5.44	

DENOTATIONS / PRODUCT CODES



MATERIALS

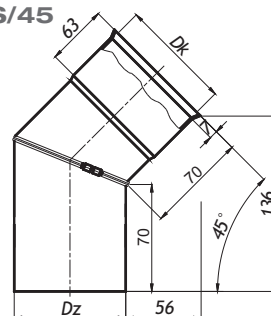
Destination	W	W	-	W - ventilation ducts
	S	-	-	S - flue (oil and gas) ducts
	-	-	D	D - smoke ducts
Material	CH	-	-	CH - stainless steel 1.4404
	-	X	-	X - stainless steel 1.4301
	-	-	Z	Z - heat resistant steel 1.4828
Sheet thickness s	5	-	-	5 - thickness 0,5 mm
	6	6	-	6 - thickness 0,6 mm
	8	8	8	8 - thickness 0,8 mm
	1	1	1	1 - thickness 1,0 mm

PICTURE

52. ADJUSTABLE ELBOW WITH FASTENING CLAMP 45° KNS/45

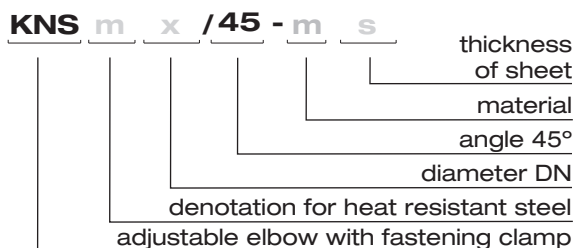


MEASUREMENTS



Diameter DN	Ø120	Ø130	Ø140	Ø150	Ø160	Ø180	Ø200	for s=0.6
Dz [mm]	123.2	132.8	140.7	151.9	161.4	182.1	201.2	
Dk [mm]	124.2	133.8	141.7	152.9	162.4	183.1	202.2	
Weight [kg]	0.45	0.50	0.50	0.55	0.60	0.70	0.80	

DENOTATIONS / PRODUCT CODES



MATERIALS

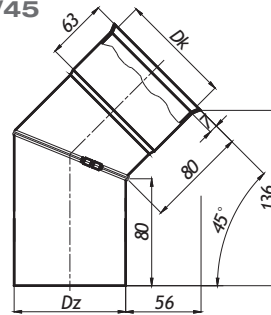
Destination	W	W	-	W - ventilation ducts
	S	-	-	S - flue (oil and gas) ducts
	-	-	D	D - smoke ducts
Material	CH	-	-	CH - stainless steel 1.4404
	-	X	-	X - stainless steel 1.4301
	-	-	Z	Z - heat resistant steel 1.4828
Thickness of sheet s	5	-	-	5 - thickness 0,5 mm
	6	6	-	6 - thickness 0,6 mm
	8	8	8	8 - thickness 0,8 mm
	1	1	1	1 - thickness 1,0 mm

PICTURE

MEASUREMENTS

53. ADJUSTABLE ELBOW WITH FASTENING CLAMP 45° KNS/45

KNS/45



Diameter DN	Ø120	Ø130	Ø140	Ø150	Ø160	Ø180	Ø200	Ø225	Ø250	Ø300	Ø350	Ø400	Ø450	Ø500	for s=0.6
Dz [mm]	123.2	132.8	140.7	151.9	161.4	182.1	201.2	226.7	252.2	301.6	350.9	401.9	451.2	502.2	
Dk [mm]	124.2	133.8	141.7	152.9	162.4	183.1	202.2	227.7	253.2	302.6	351.9	402.9	452.2	503.2	
Weight [kg]	0.45	0.50	0.50	0.55	0.60	0.70	0.80	0.95	1.10	1.40	1.70	2.10	2.50	2.95	

DENOTATIONS / PRODUCT CODES

MATERIALS

KNS m x /45 - m s

sheet thickness
material
angle 45°
diameter DN
denotation for heat resistant steel sheet
adjustable elbow with fastening clamp

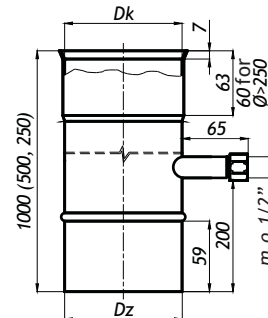
Destination	W	W	-	W - ventilation ducts
	S	-	-	S - flue (oil and gas) ducts
	-	-	D	D - smoke ducts
Material	CH	-	-	CH - stainless steel 1.4404
	-	X	-	X - stainless steel 1.4301
	-	-	Ż	Ż - heat resistant steel 1.4828
Sheet thickness s	5	-	-	5 - thickness 0,5 mm
	6	6	-	6 - thickness 0,6 mm
	8	8	8	8 - thickness 0,8 mm
	1	1	1	1 - thickness 1,0 mm

PICTURE

MEASUREMENTS

54. STRAIGHT PIPE WITH MEASURING OUTLET 1/2" ROP-1/2

ROP-1/2



Diameter DN	Ø80	Ø100	Ø110	Ø120	Ø130	Ø140	Ø150	Ø160	Ø180	Ø200	Ø225	Ø250	Ø300	Ø350	Ø400	Ø450	Ø500	for s=0.6
Dz	80.2	100.9	112.1	123.2	132.8	140.7	151.9	161.4	182.1	201.2	226.7	252.2	301.6	350.9	401.9	451.2	502.2	
Dk	81.2	101.9	113.1	124.2	133.8	141.7	152.9	162.4	183.1	202.2	227.7	253.2	302.6	351.9	402.9	452.2	503.2	
Weight [kg]	1.20	1.50	1.70	1.85	2.00	2.10	2.30	2.40	2.75	3.00	3.40	3.80	4.55	5.30	6.05	6.80	7.55	

DENOTATIONS / PRODUCT CODES

MATERIALS

measuring outlet 1/2"

ROP m x / L - m s -1/2

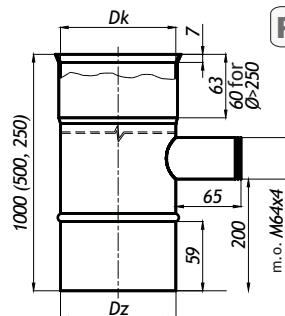
sheet thickness
material
length [mm]
diameter DN
denotation for heat resistant steel sheet
straight pipe with measuring outlet 1/2"

Destination	W	W	-	W - ventilation ducts
	S	-	-	S - flue (oil and gas) ducts
	-	-	D	D - smoke ducts
Material	CH	-	-	CH - stainless steel 1.4404
	-	X	-	X - stainless steel 1.4301
	-	-	Ż	Ż - heat resistant steel 1.4828
Sheet thickness s	5	-	-	5 - thickness 0,5 mm
	6	6	-	6 - thickness 0,6 mm
	8	8	8	8 - thickness 0,8 mm
	1	1	1	1 - thickness 1,0 mm

PICTURE

MEASUREMENTS

55. STRAIGHT PIPE WITH MEASURING OUTLET M64x4 ROP-64

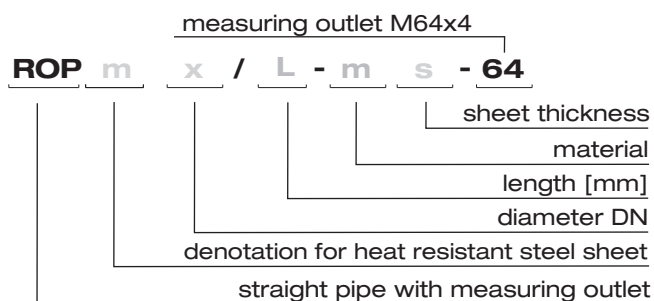


ROP-64

Diameter DN	Ø80	Ø100	Ø110	Ø120	Ø130	Ø140	Ø150	Ø160	Ø180	Ø200	Ø225	Ø250	Ø300	Ø350	Ø400	Ø450	Ø500
Dz	80.2	100.9	112.1	123.2	132.8	140.7	151.9	161.4	182.1	201.2	226.7	252.2	301.6	350.9	401.9	451.2	502.2
Dk	81.2	101.9	113.1	124.2	133.8	141.7	152.9	162.4	183.1	202.2	227.7	253.2	302.6	351.9	402.9	452.2	503.2
Weight [kg]	1.20	1.50	1.70	1.85	2.00	2.10	2.30	2.40	2.75	3.00	3.40	3.80	4.55	5.30	6.05	6.80	7.55

for s=0.6

DENOTATIONS / PRODUCT CODES



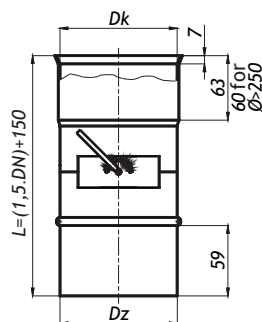
MATERIALS

Destination	W	W	-	W - ventilation ducts
	S	-	-	S
	-	-	D	D - smoke ducts
Material	CH	-	-	CH - stainless steel 1.4404
	-	X	-	X - stainless steel 1.4301
	-	-	Ž	Ž - heat resistant steel 1.4828
Sheet thickness s	5	-	-	5 - thickness 0,5 mm
	6	6	-	6 - thickness 0,6 mm
	8	8	8	8 - thickness 0,8 mm
	1	1	1	1 - thickness 1,0 mm

PICTURE

MEASUREMENTS

56. STRAIGHT PIPE WITH A DAMPER RPP

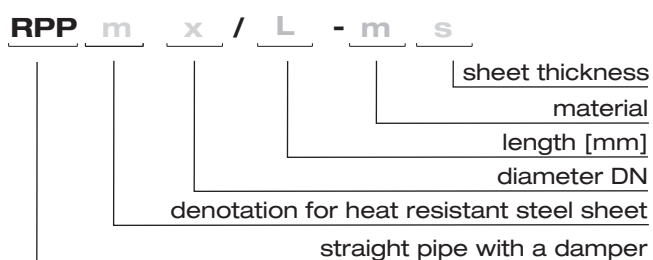


RPP

Diameter DN	Ø80	Ø100	Ø110	Ø120	Ø130	Ø140	Ø150	Ø160	Ø180	Ø200	Ø225	Ø250	Ø300	Ø350	Ø400	Ø450	Ø500
Dz	80.2	100.9	112.1	123.2	132.8	140.7	151.9	161.4	182.1	201.2	226.7	252.2	301.6	350.9	401.9	451.2	502.2
Dk	81.2	101.9	113.1	124.2	133.8	141.7	152.9	162.4	183.1	202.2	227.7	253.2	302.6	351.9	402.9	452.2	503.2
Weight [kg]	0.40	0.50	0.60	0.65	0.75	0.80	0.85	1.00	1.20	1.40	1.70	2.00	2.75	3.60	4.60	5.70	6.90

for s=0.6

DENOTATIONS / PRODUCT CODES

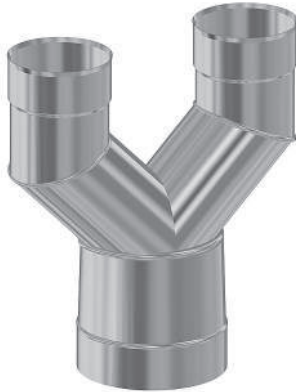


MATERIALS

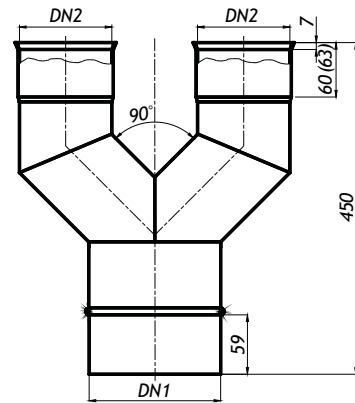
Destination	W	W	-	W - ventilation ducts
	S	-	-	S
	-	-	D	D - smoke ducts
Material	CH	-	-	CH - stainless steel 1.4404
	-	X	-	X - stainless steel 1.4301
	-	-	Ž	Ž - heat resistant steel 1.4828
Sheet thickness s	5	-	-	5 - thickness 0,5 mm
	6	6	-	6 - thickness 0,6 mm
	8	8	8	8 - thickness 0,8 mm
	1	1	1	1 - thickness 1,0 mm

PICTURE

57. REDUCING TEE YR



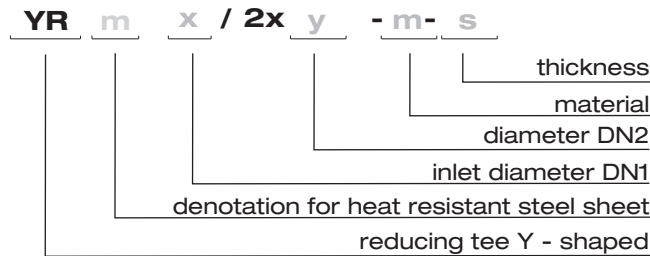
MEASUREMENTS



YR

Diameter DN1	Ø180	Ø200	Ø225		
Diameter DN2	Ø110	Ø120	Ø130	Ø140	Ø150

DENOTATIONS / PRODUCT CODES

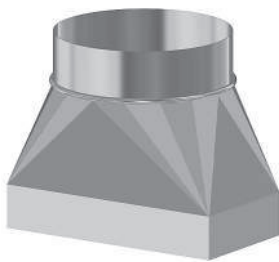


MATERIALS

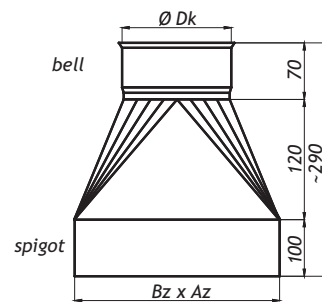
Destination	W	W	-	W - ventilation ducts
	S	-	-	S - flue (oil and gas) ducts
	-	-	D	D - smoke ducts
Material	CH	-	-	CH - stainless steel 1.4404
	-	X	-	X - stainless steel 1.4301
	-	-	Ž	Ž - heat resistant steel 1.4828
Sheet thickness s	-	-	-	5 - thickness 0,5 mm
	6	6	-	6 - thickness 0,6 mm
	8	8	8	8 - thickness 0,8 mm
	1	1	1	1 - thickness 1,0 mm

PICTURE

58. REDUCER SEGMENT-TYPE RD-K



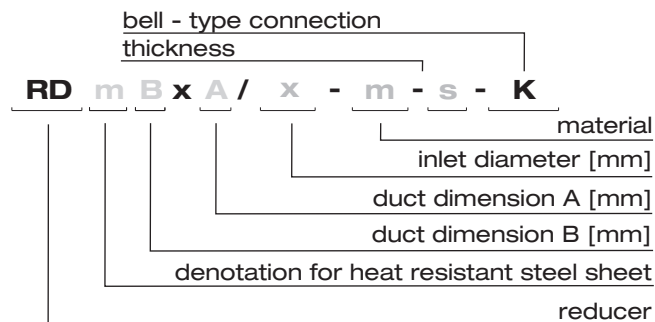
MEASUREMENTS



RD-K

Diameter DN	Ø150	Ø160	Ø170	Ø180	Ø190	Ø200	Ø210	Ø225	Ø250	Ø300	for s=0,6
Dk [mm]	152.9	162.4	172.0	183.1	192.7	202.2	211.8	227.7	253.2	302.6	
Az [mm]	120	125	135	120	120	120	120	125	135	235	
Bz [mm]	120	130	135	165	180	200	210	230	260	235	
Weight [kg]	0.60	0.63	0.66	0.70	0.73	0.78	0.80	0.87	0.97	1.15	

DENOTATIONS / PRODUCT CODES



MATERIALS

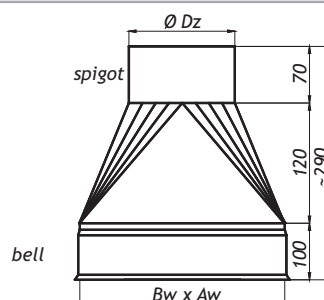
Destination	W	W	-	W - ventilation ducts
	S	-	-	S - flue (oil and gas) ducts
	-	-	D	D - smoke ducts
Material	CH	-	-	CH - stainless steel 1.4404
	-	X	-	X - stainless steel 1.4301
	-	-	Ž	Ž - heat resistant steel 1.4828
Sheet thickness s	5	-	-	5 - thickness 0,5 mm
	6	6	-	6 - thickness 0,6 mm
	8	8	8	8 - thickness 0,8 mm
	1	1	1	1 - thickness 1,0 mm

PICTURE

59. REDUCER SEGMENT-TYPE RD-N



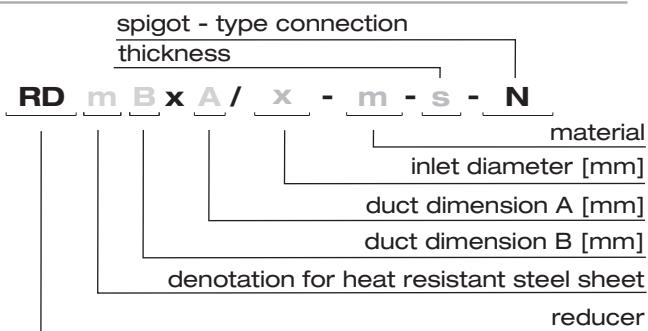
MEASUREMENTS



RD-N

Diameter DN	Ø150	Ø160	Ø170	Ø180	Ø190	Ø200	Ø210	Ø225	Ø250	Ø300	for s=0.6
Dz [mm]	151.9	161.4	171.0	182.1	191.7	201.2	210.8	226.7	252.2	301.6	
Aw [mm]	120	125	135	120	120	120	120	125	135	235	
Bw [mm]	120	130	135	165	180	200	210	230	260	235	
Weight [kg]	0.60	0.63	0.66	0.70	0.73	0.78	0.80	0.87	0.97	1.15	

DENOTATIONS / PRODUCT CODES



MATERIALS

Destination	W	W	-	W - ventilation ducts
	S	-	-	S - flue (oil and gas) ducts
	-	-	D	D - smoke ducts
Material	CH	-	-	CH - stainless steel 1.4404
	-	X	-	X - stainless steel 1.4301
	-	-	Ž	Ž - heat resistant steel 1.4828
Sheet thickness s	5	-	-	5 - thickness 0,5 mm
	6	6	-	6 - thickness 0,6 mm
	8	8	8	8 - thickness 0,8 mm
	1	1	1	1 - thickness 1,0 mm